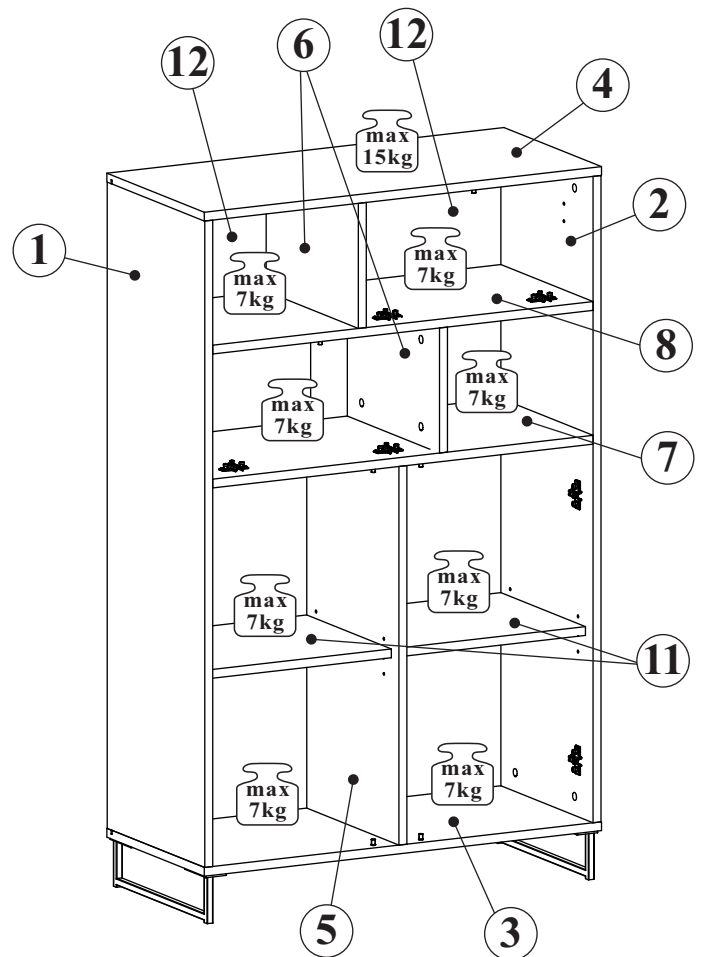
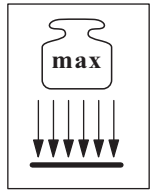
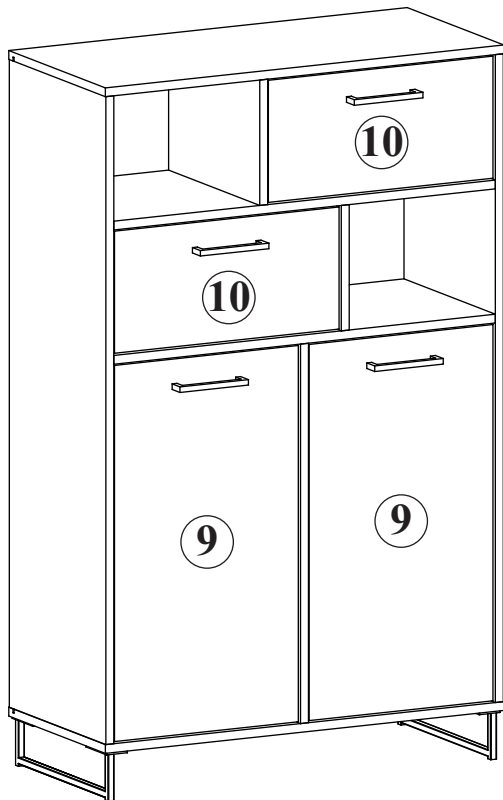
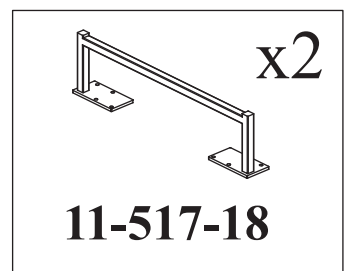
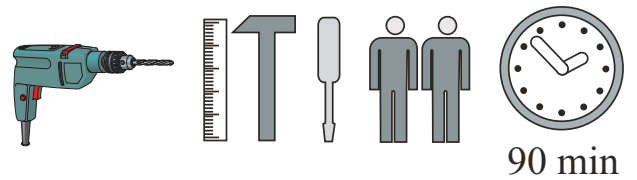


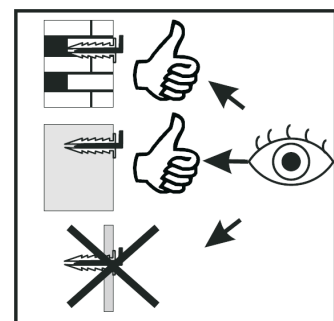
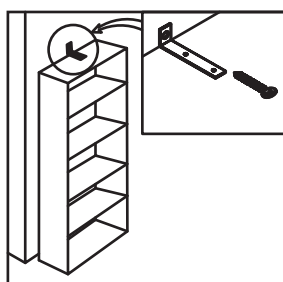
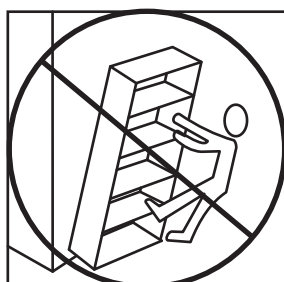
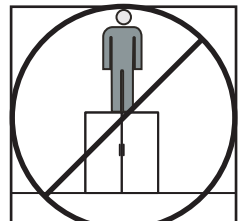
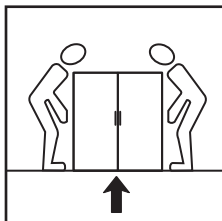
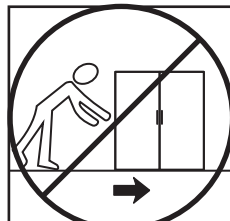
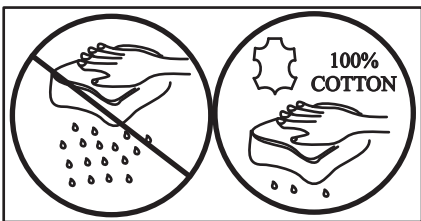
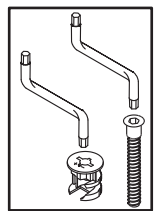
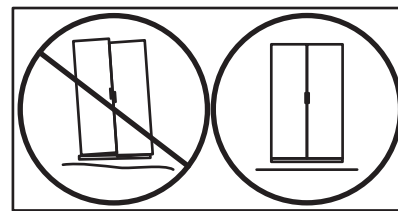
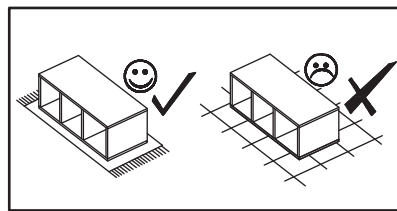
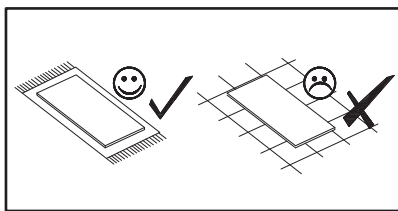
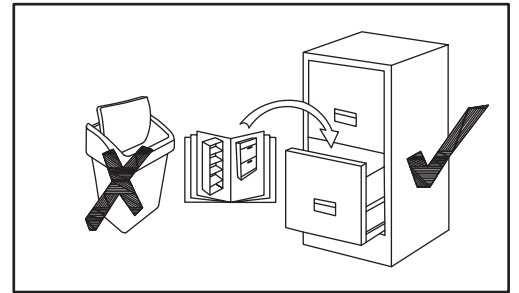
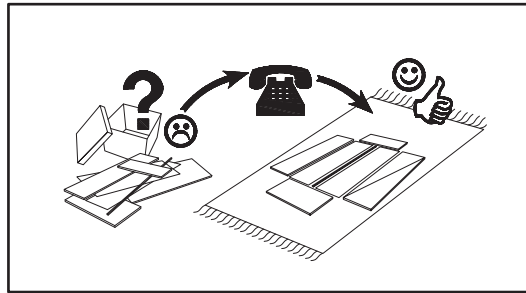
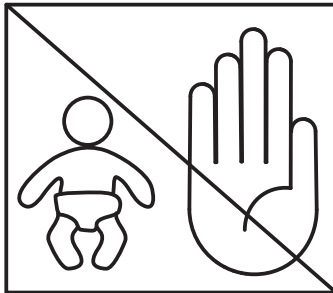
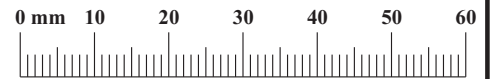
ROOF 36-965-__-6



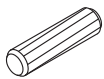
NO	Dim.			Col.-No	Qty
1	1184	368	16	1	1
2	1184	368	16	1	1
3	802	368	16	2	1
4	802	368	16	2	1
5	690	348	16	2	1
6	231	348	16	2	2
7	768	348	16	2	1
8	768	348	16	2	1
9	370	684	16	2	2
10	452	225	16	2	2
11	376	319	16	2	2
12	1196	390	3	1	2

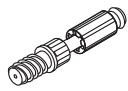


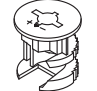
A1 x28 ø8x36	B4 x28	B5 x28 ø15x12	G5 x28	G7 x8	G20 x6
E25 x8 Ø35 H=16	E4 x8 H=2	D10 x24 USØ3,5x13	Z2 x4 Ø5	U17 x4 L-128mm.	UP6 x8 UPØ4x30
G21 x2	D7 x6 USØ3x16	S1 x16	UP13 x16 UPØ3x16	UP5 x16 UPØ4x16	G2 x1
KR1 x1	L1 x1				

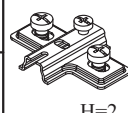


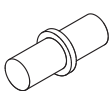
1

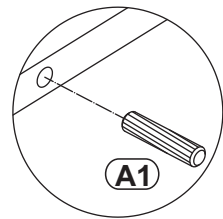
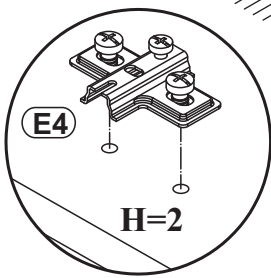
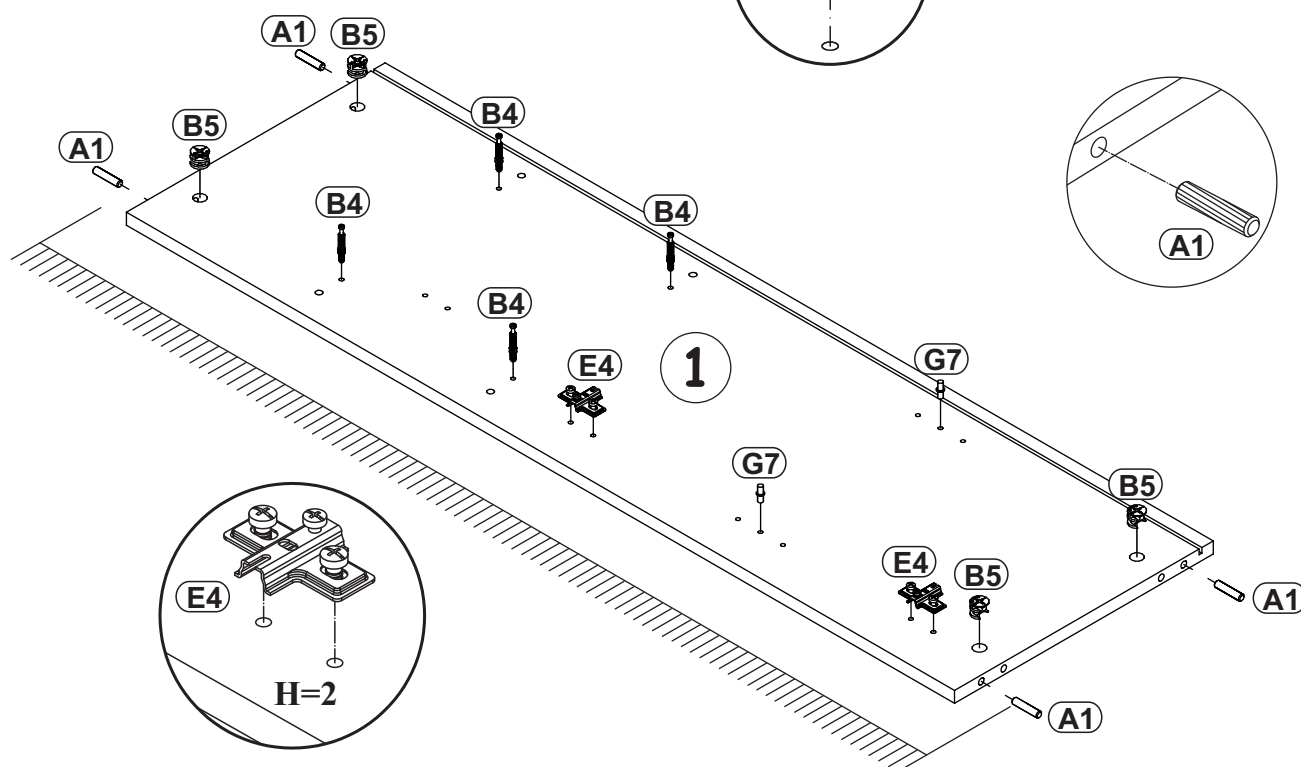
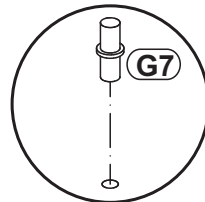
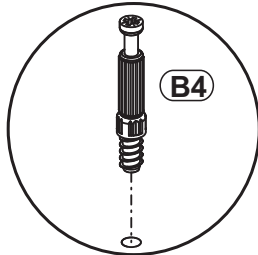
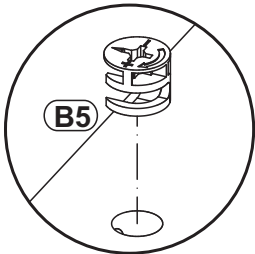
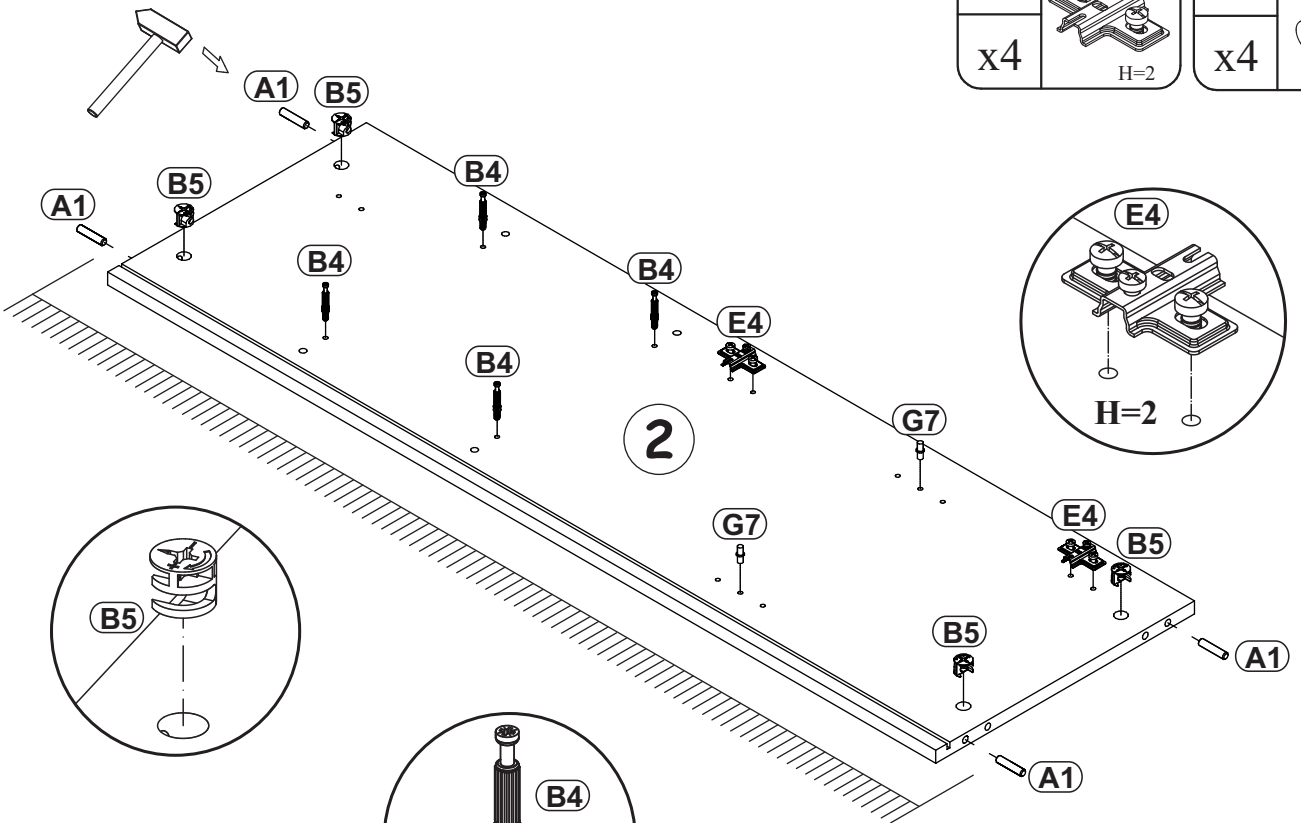
A1	
x8	ø8x36

B4	
x8	

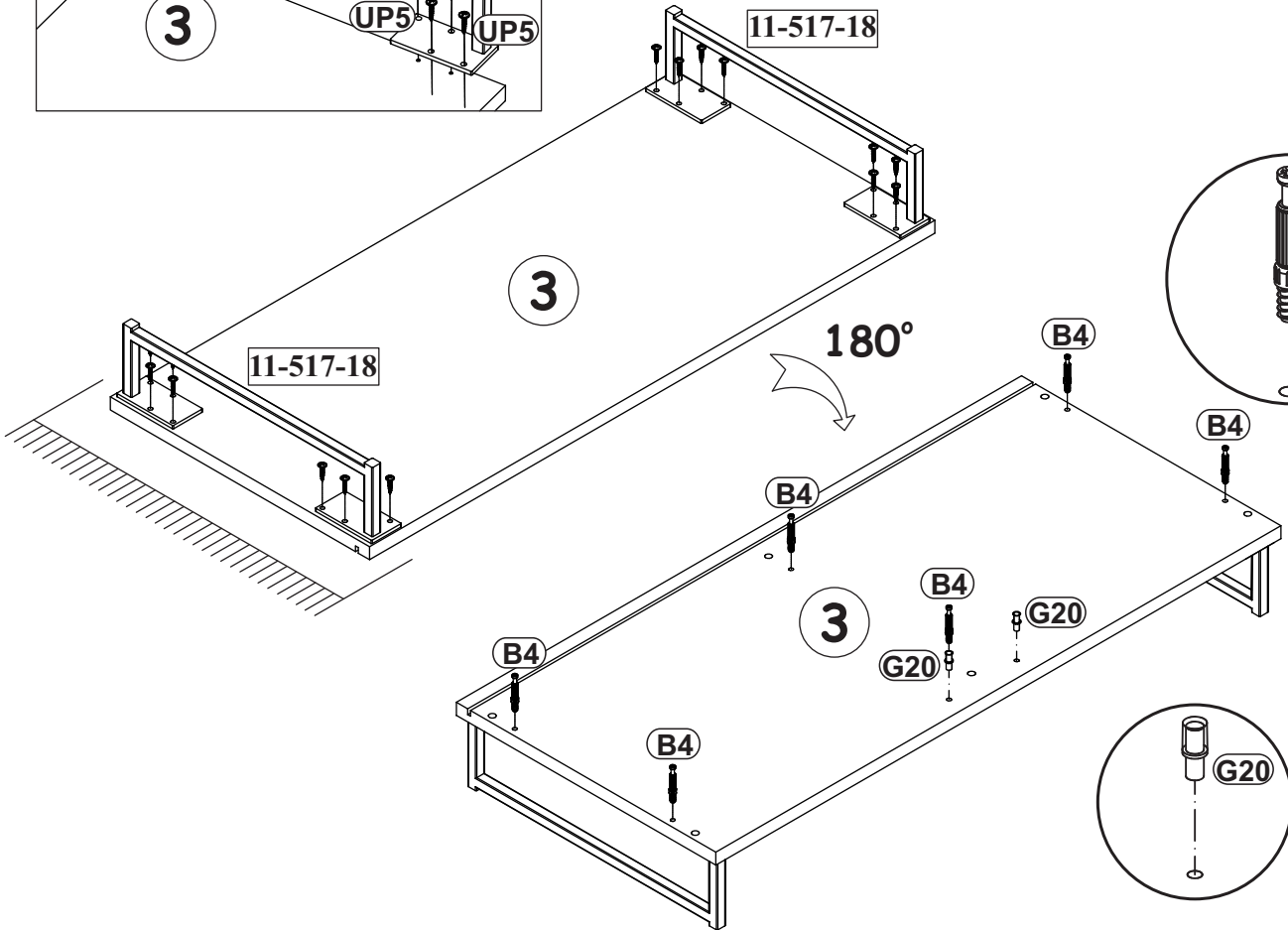
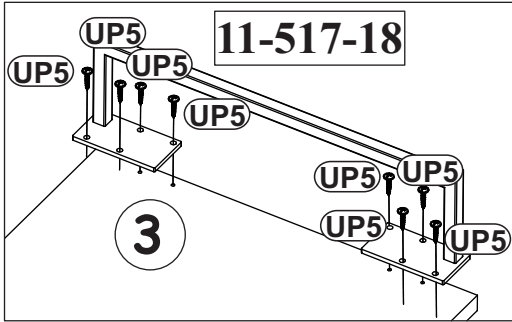
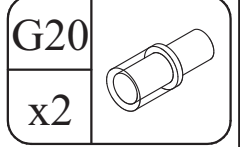
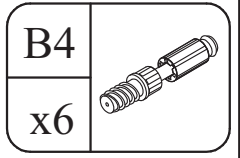
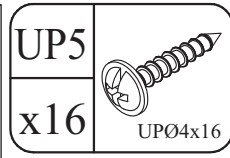
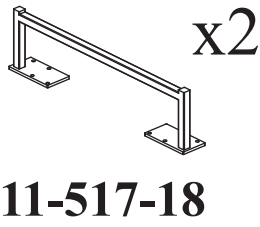
B5	
x8	ø15x12

E4	
x4	H=2

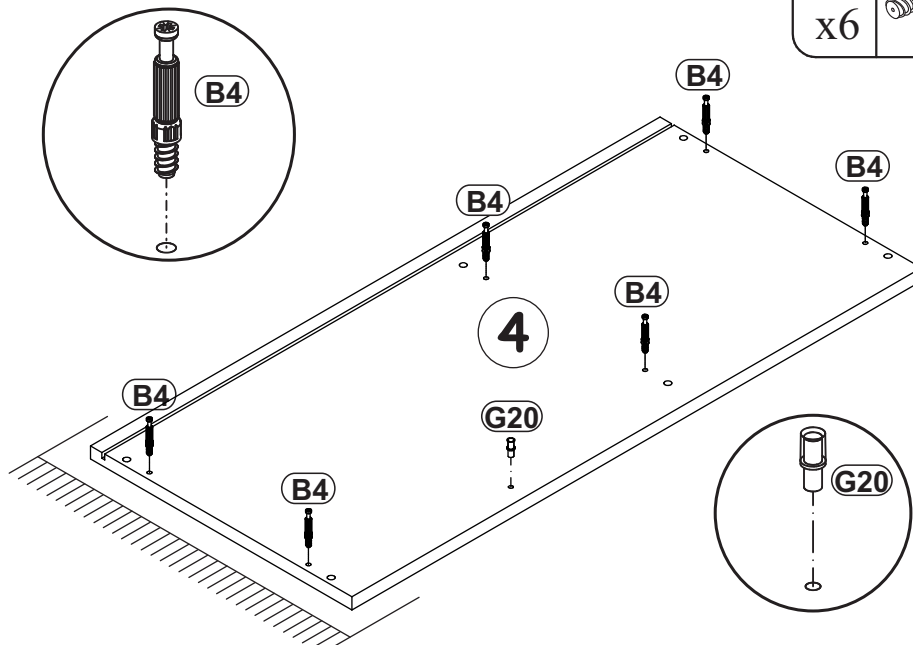
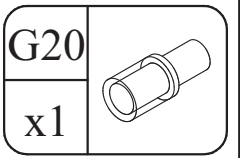
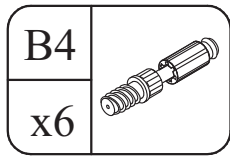
G7	
x4	



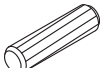
2




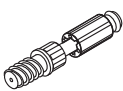
3

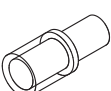


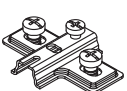
4

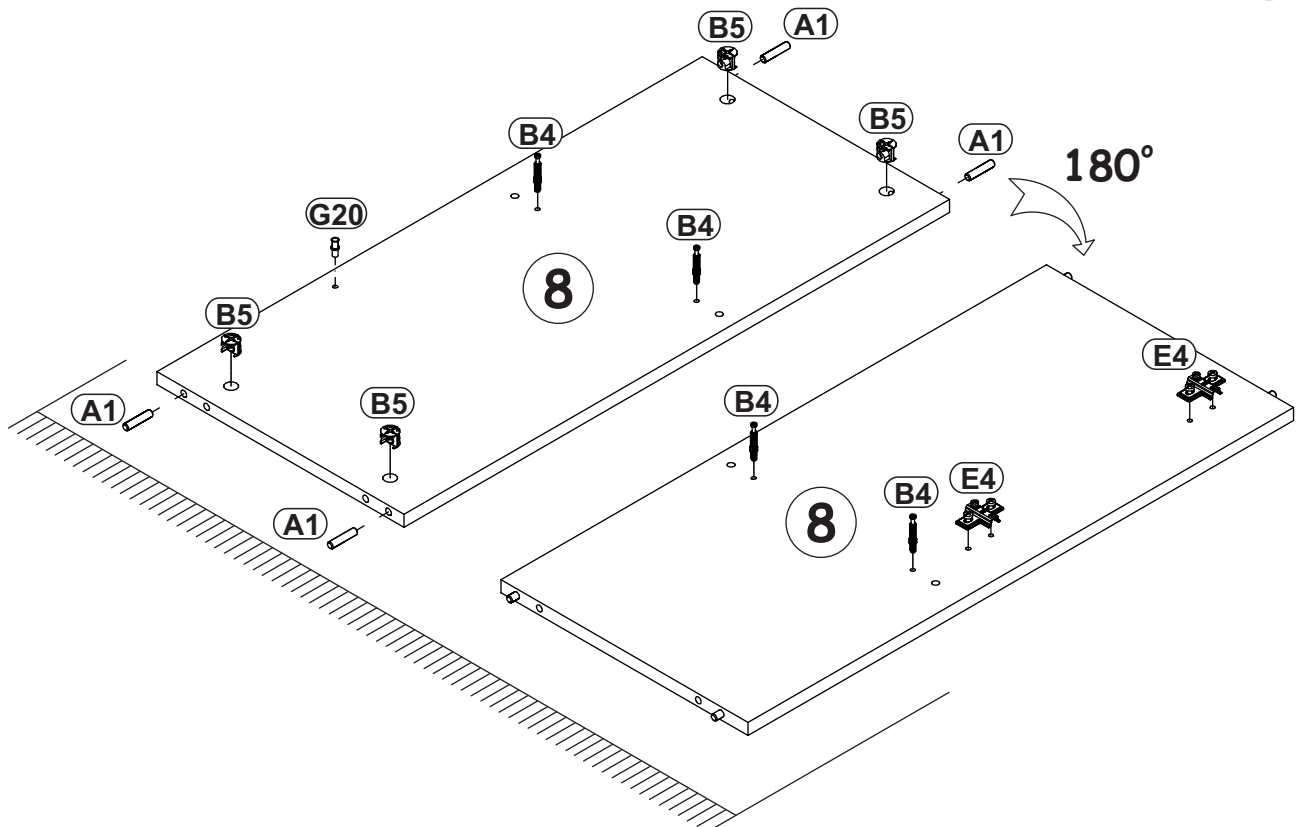
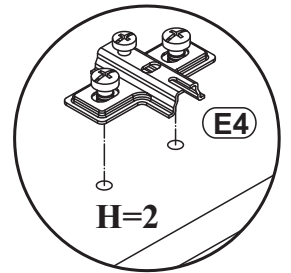
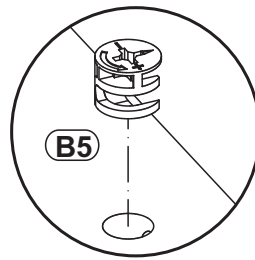
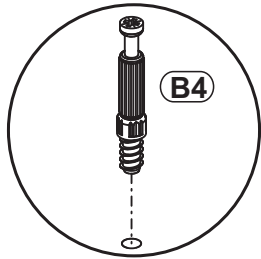
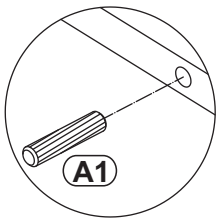
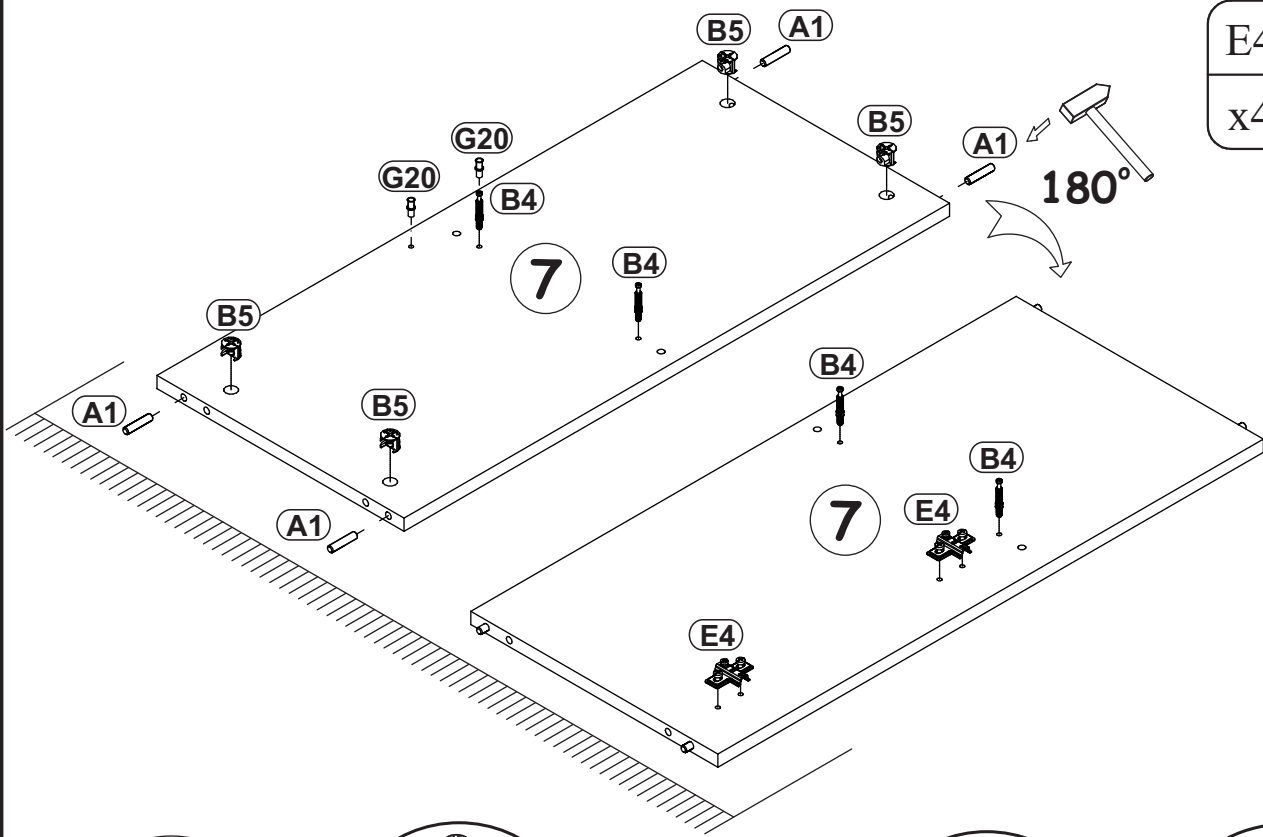
A1	
x8	ø8x36

B5	
x8	ø15x12

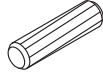
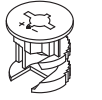
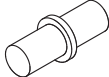
B4	
x8	

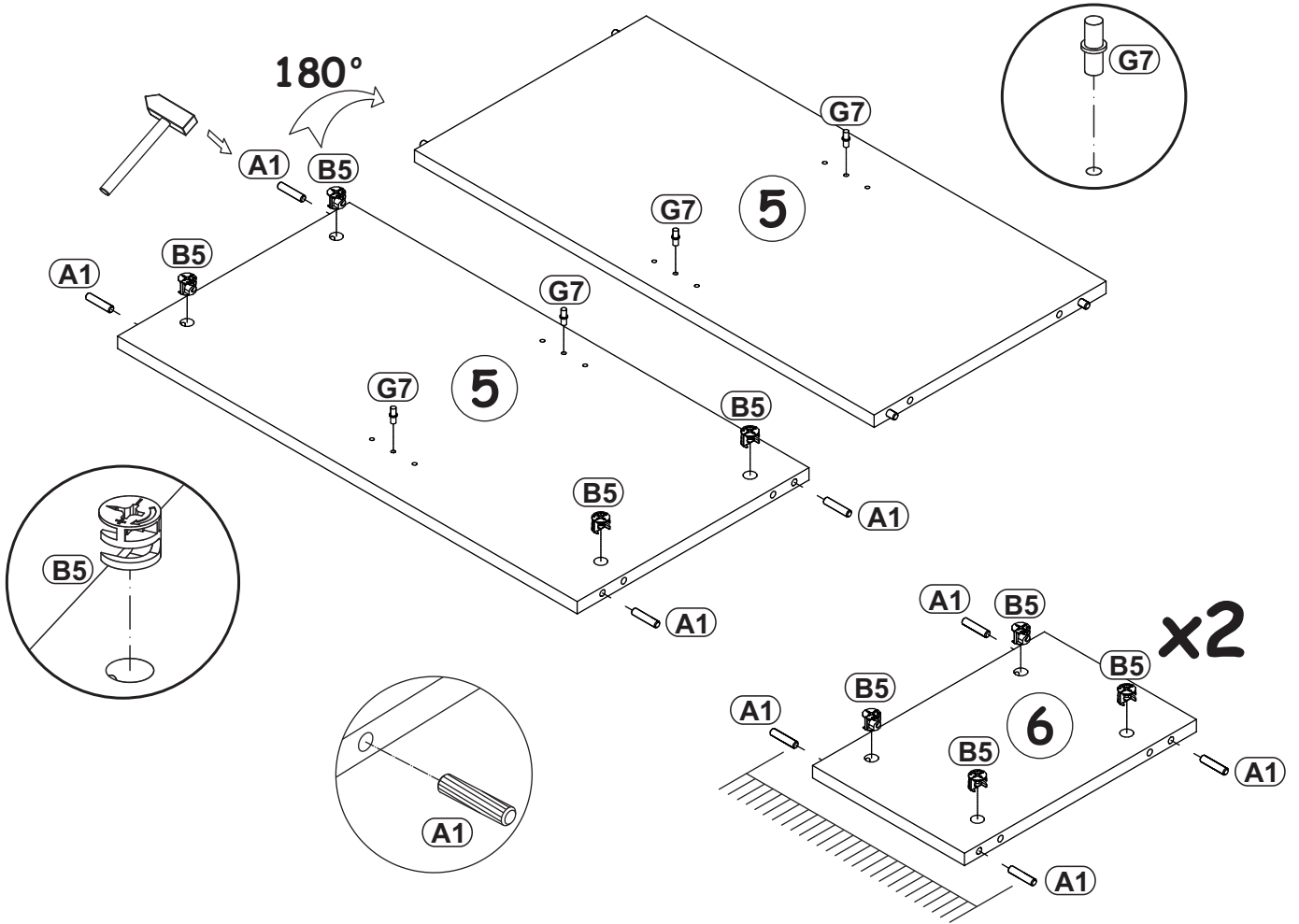
G20	
x3	

E4	
x4	H=2

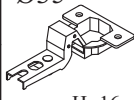
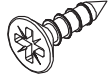


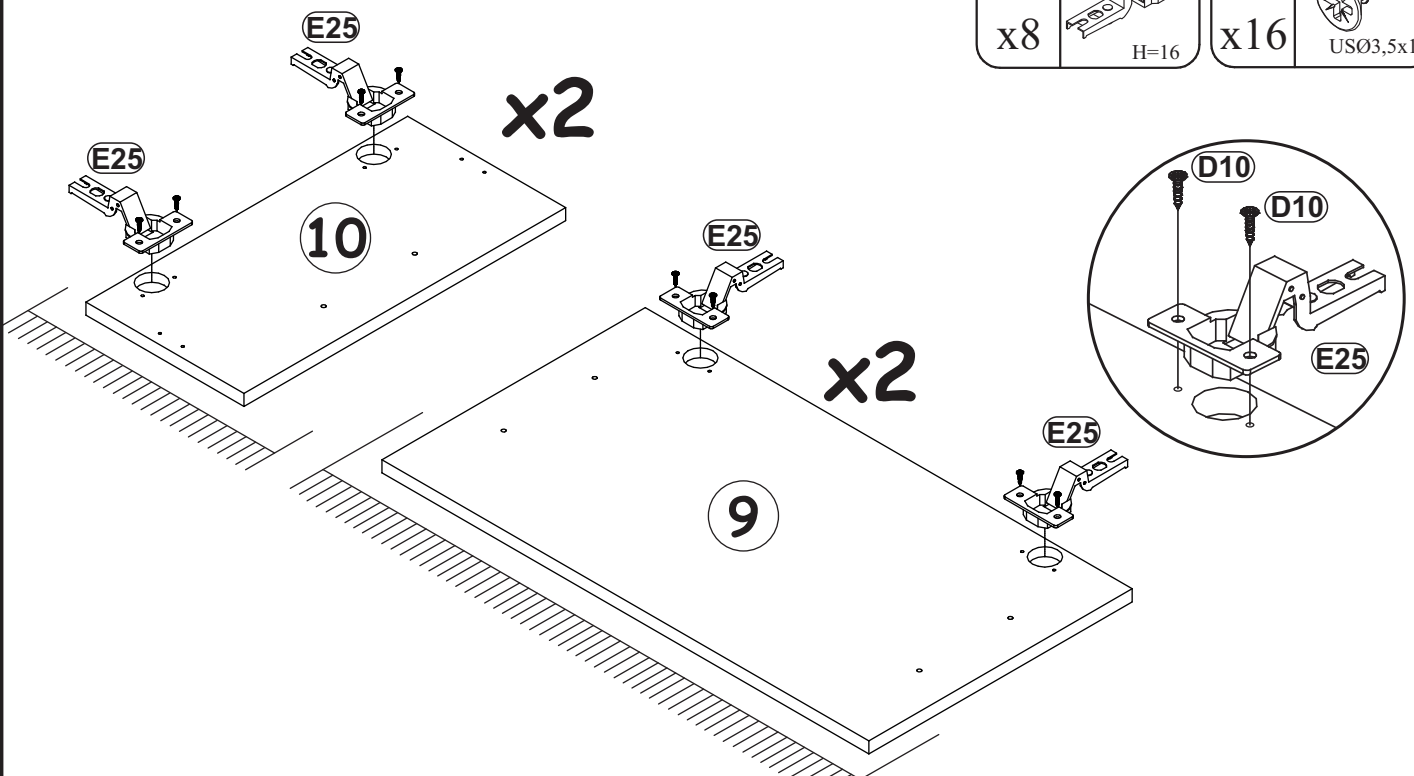
5

A1		B5		G7	
x12	ø8x36	x12	ø15x12	x4	




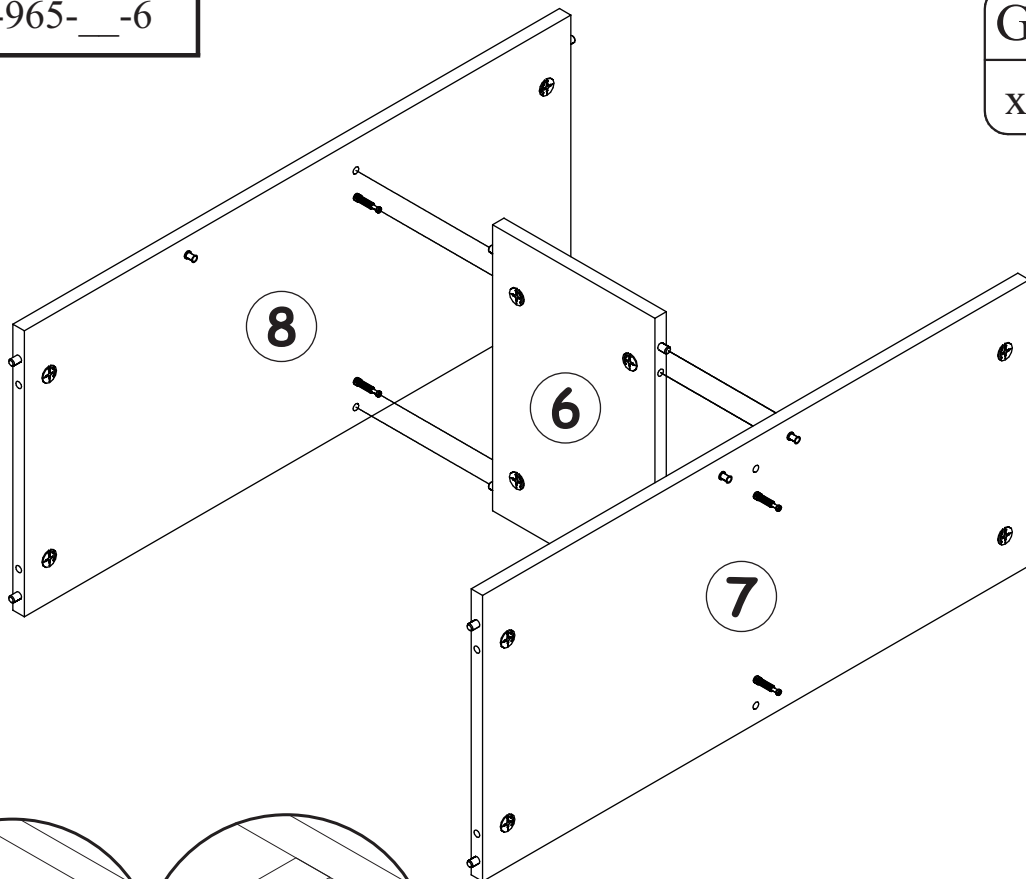
6

E25		D10	
x8	Ø35 H=16	x16	USØ3,5x13

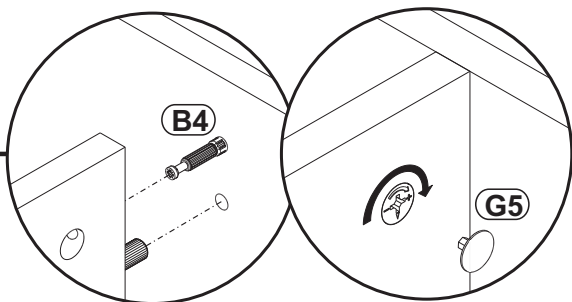



7

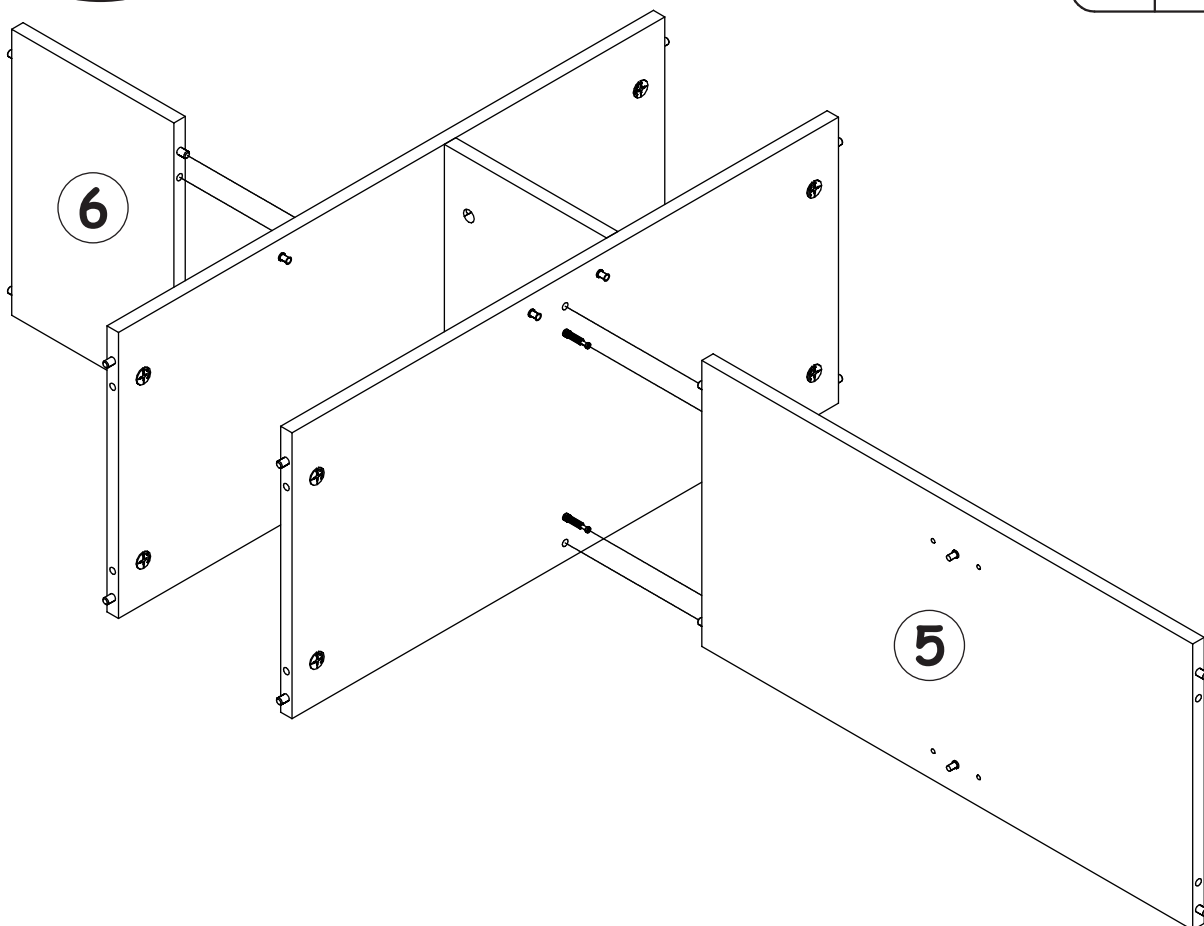
G5	
x4	




8

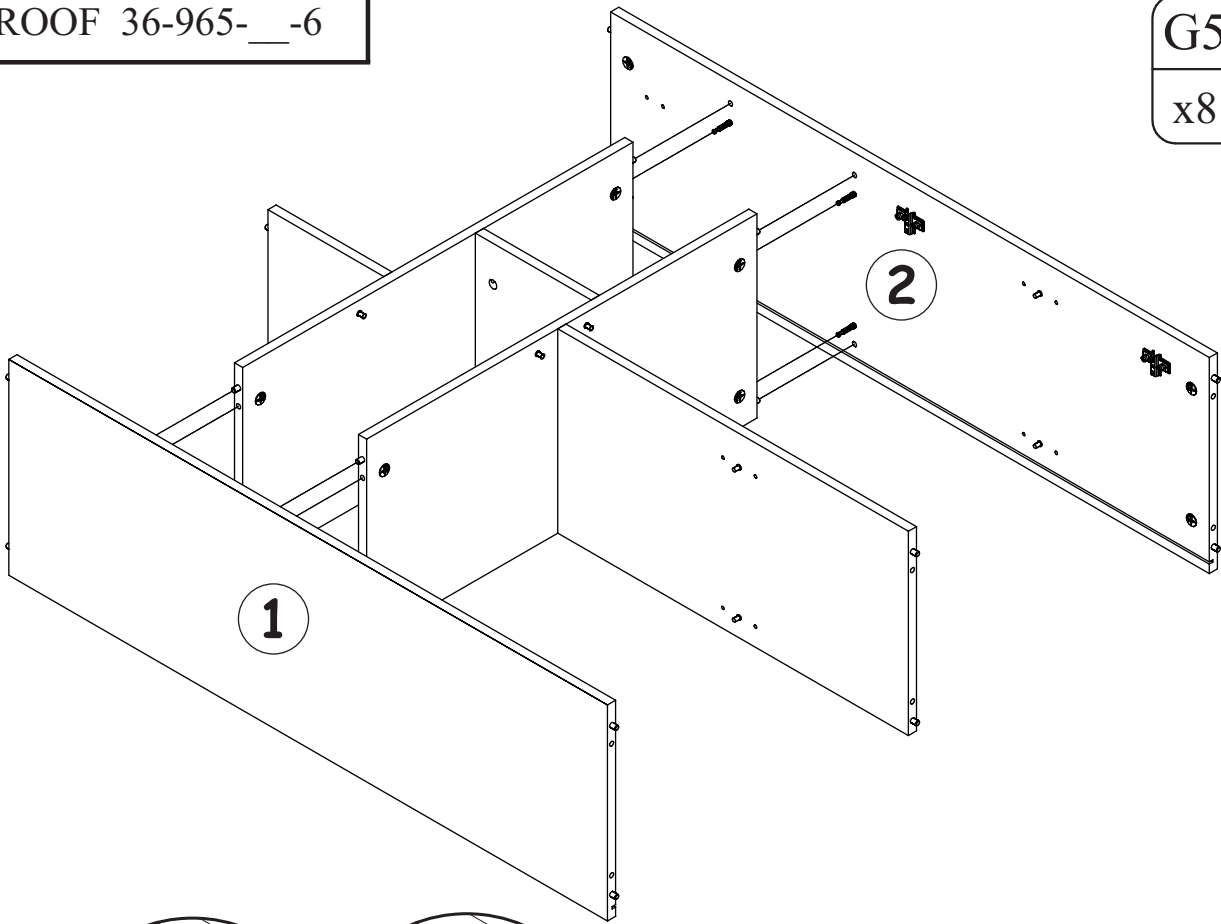


G5	
x4	

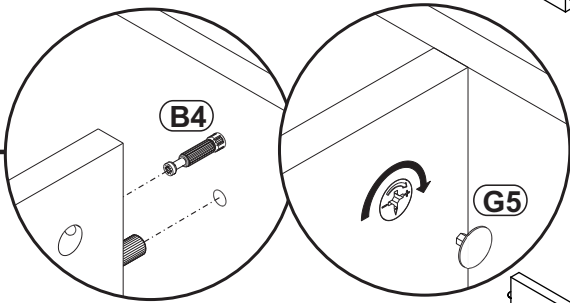



9

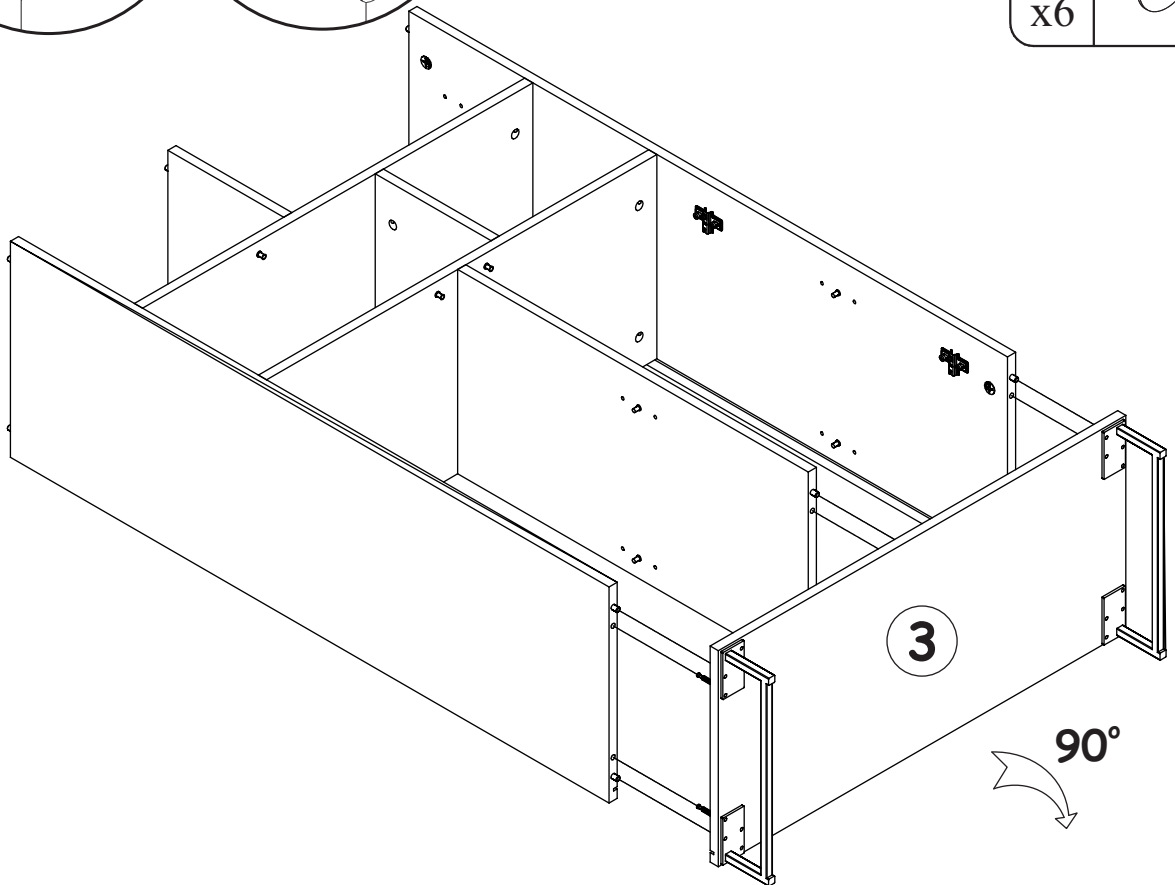
G5	
x8	



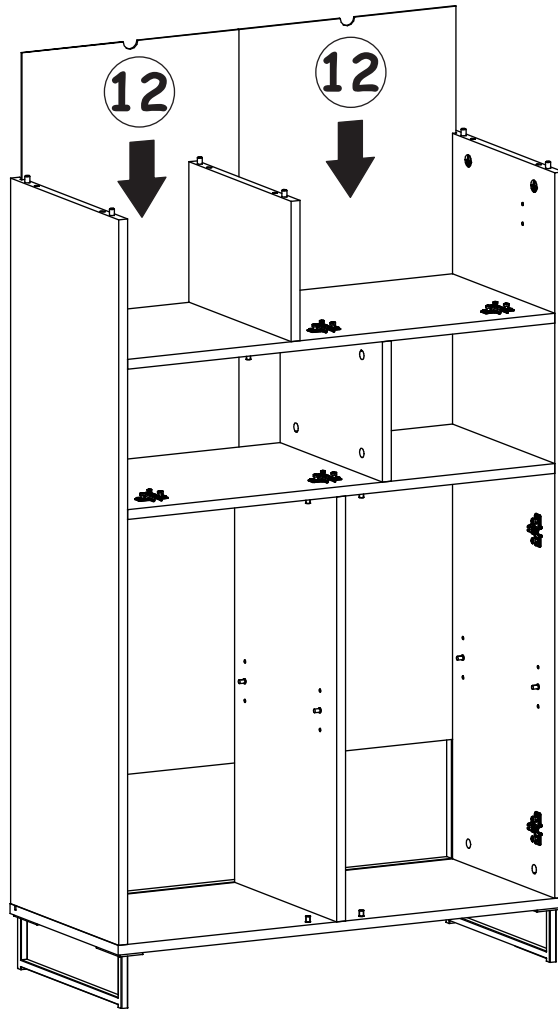
10



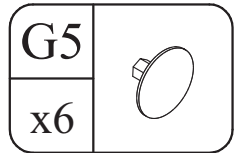
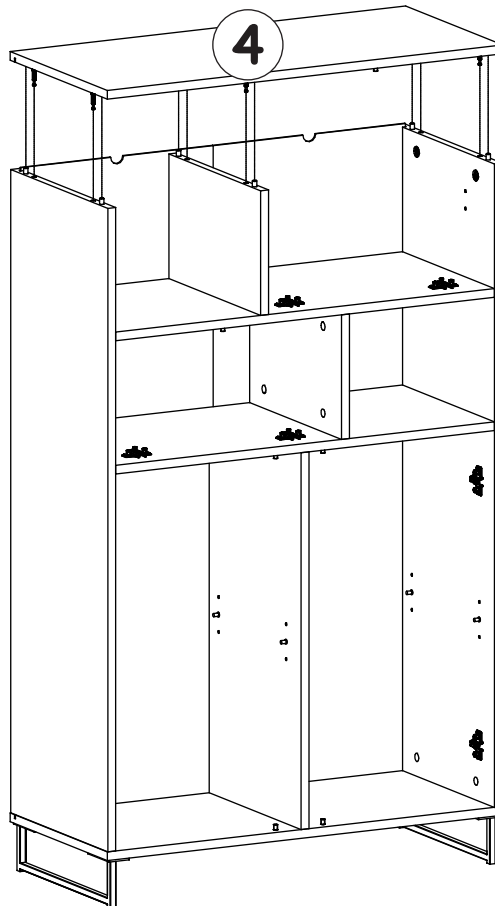
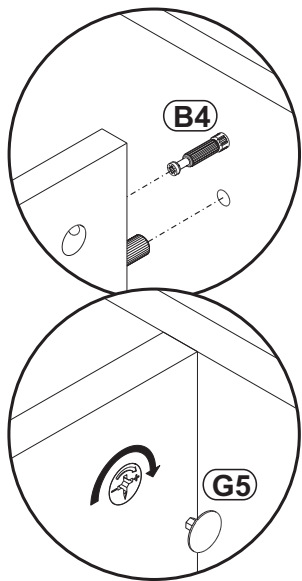
G5	
x6	

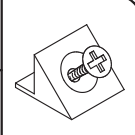



11

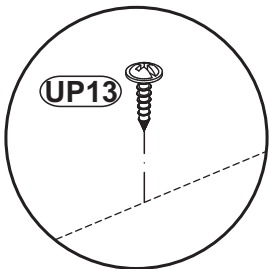
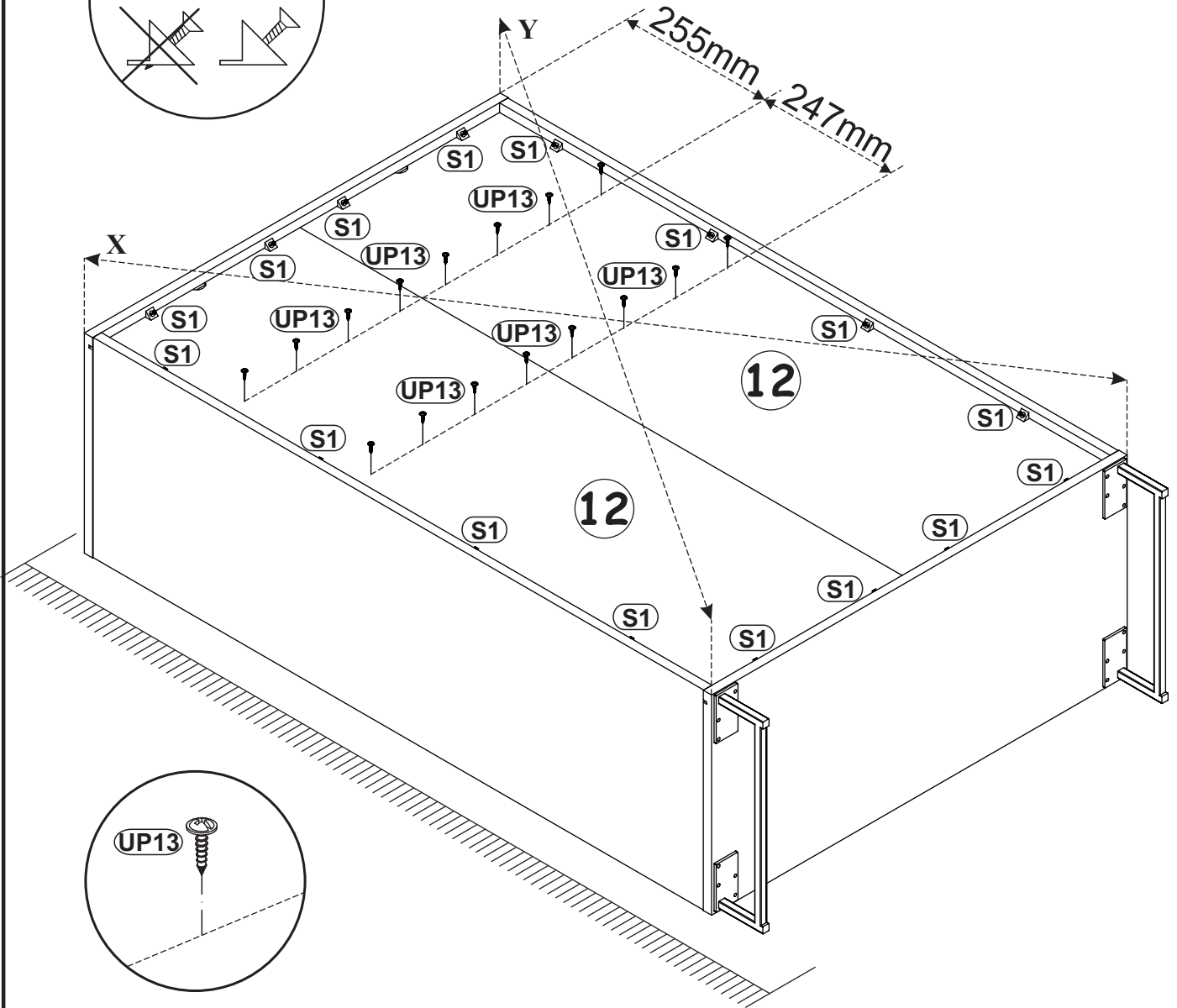
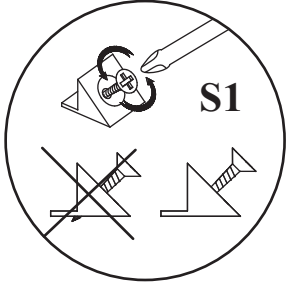


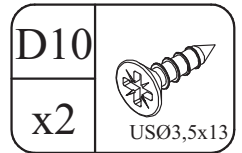
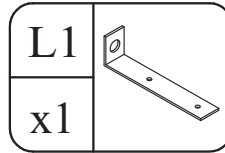
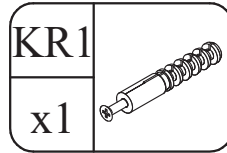
12



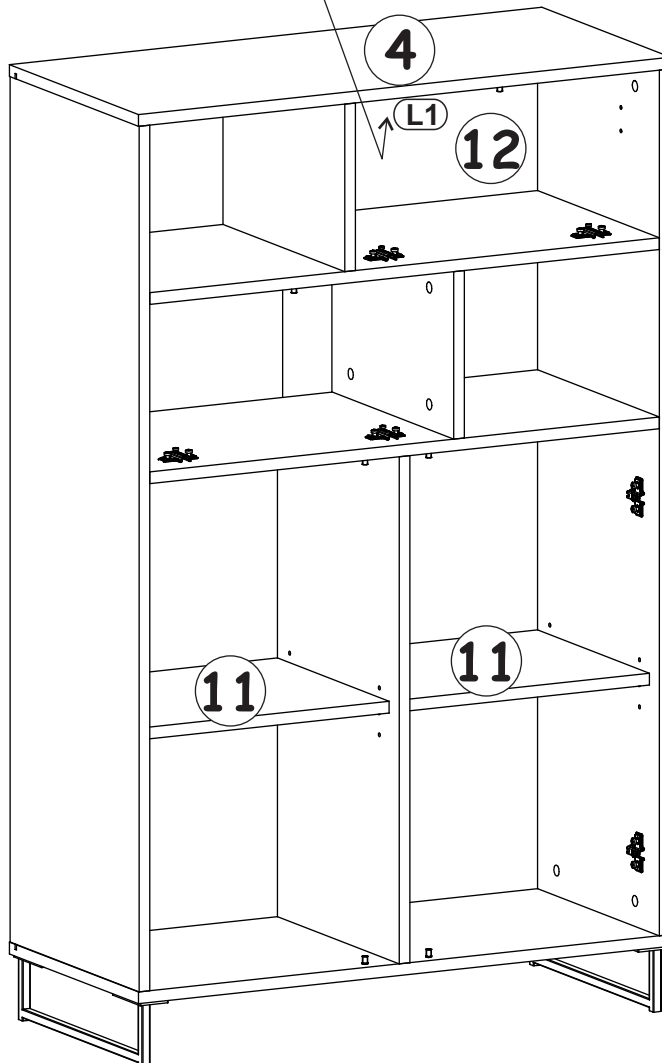
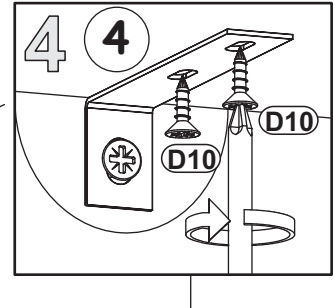
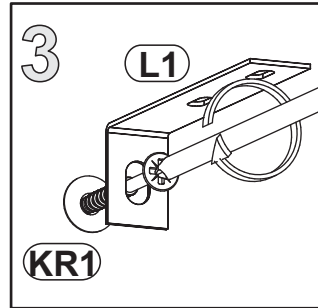
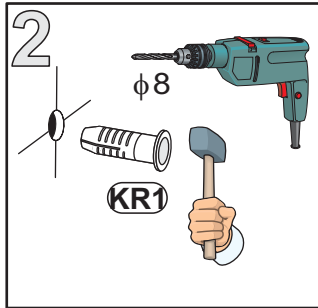
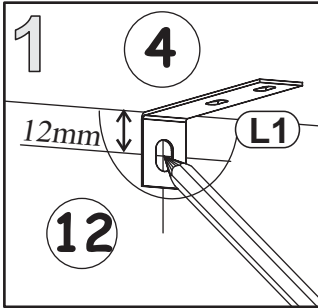
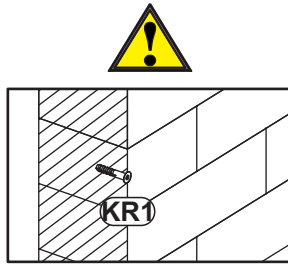
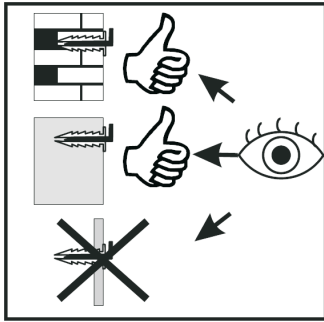
S1		UP13	
x16		x16	UPØ3x16

13

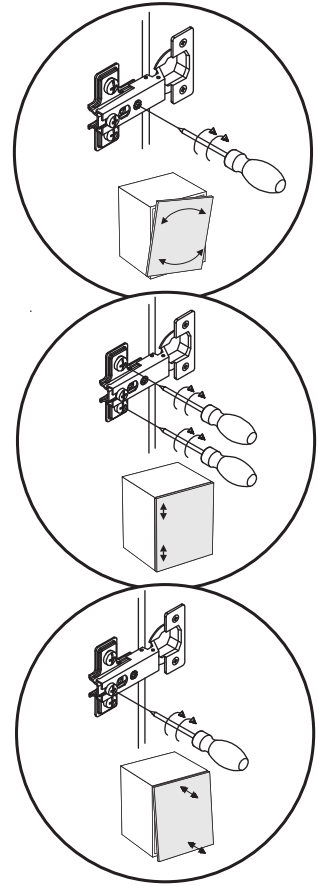
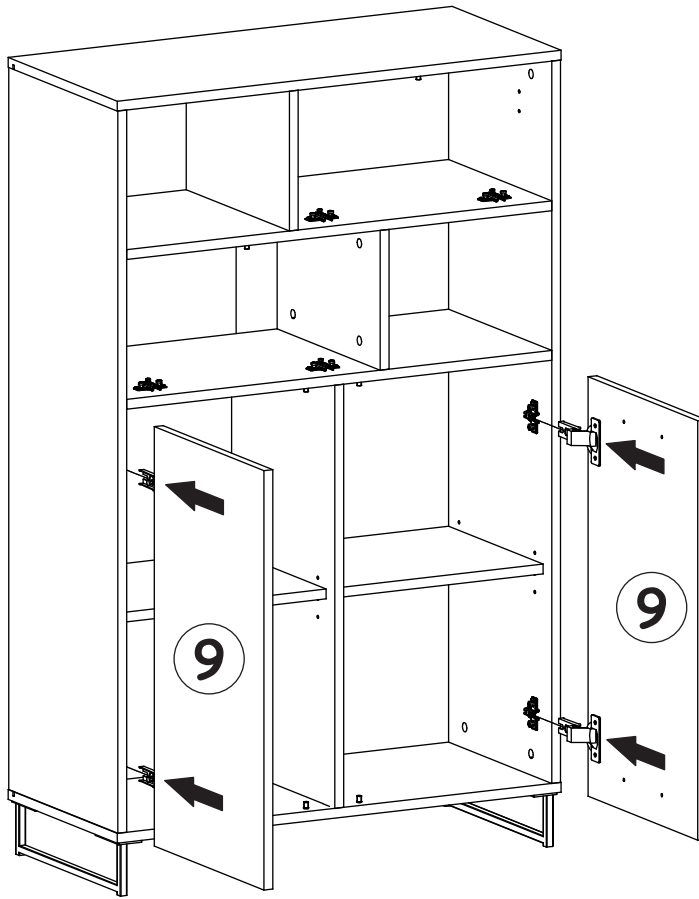




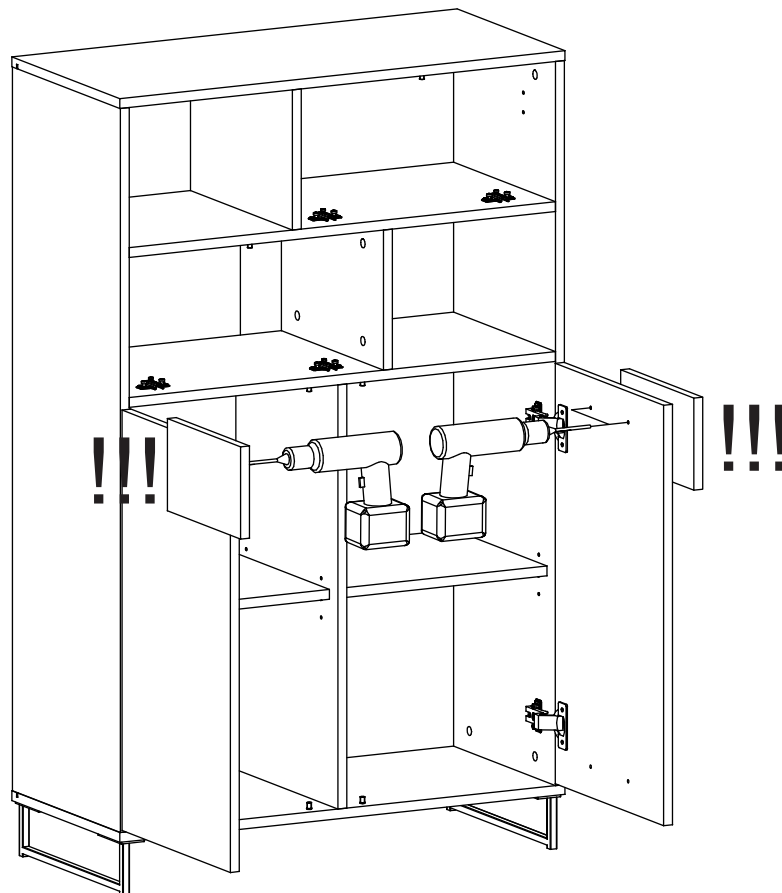
14



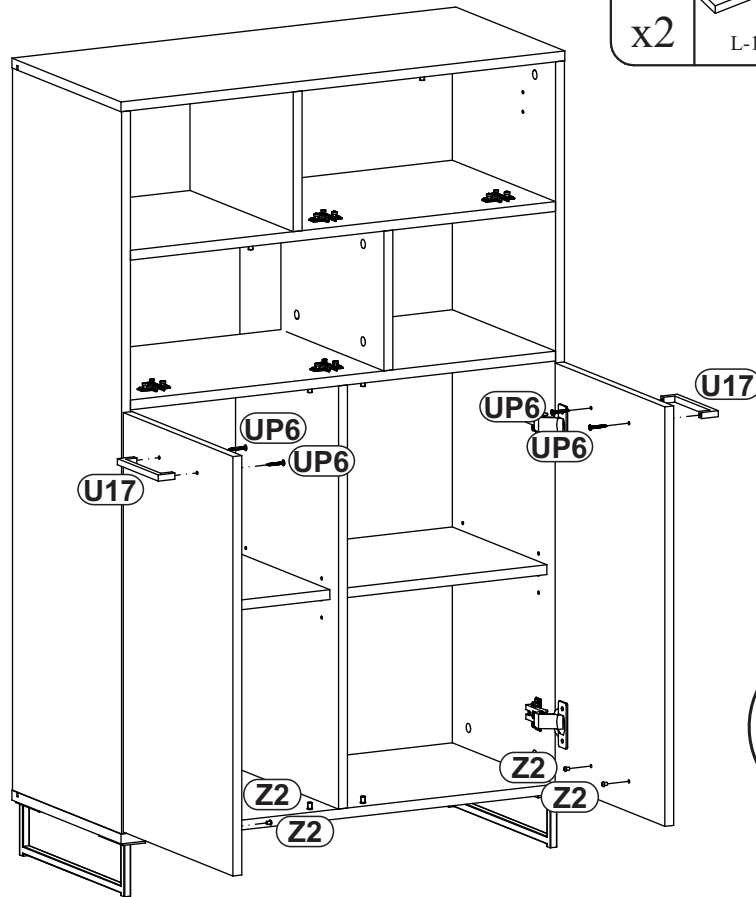
15



16



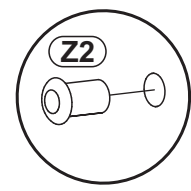
17



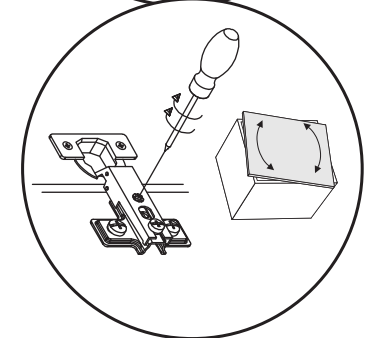
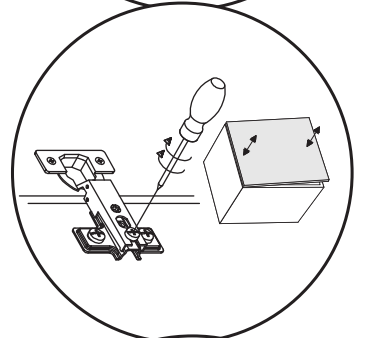
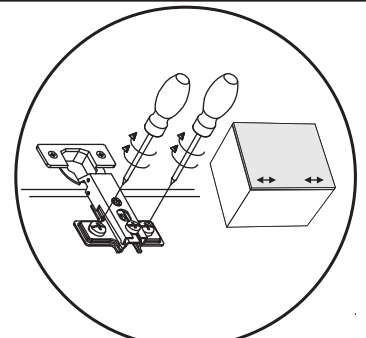
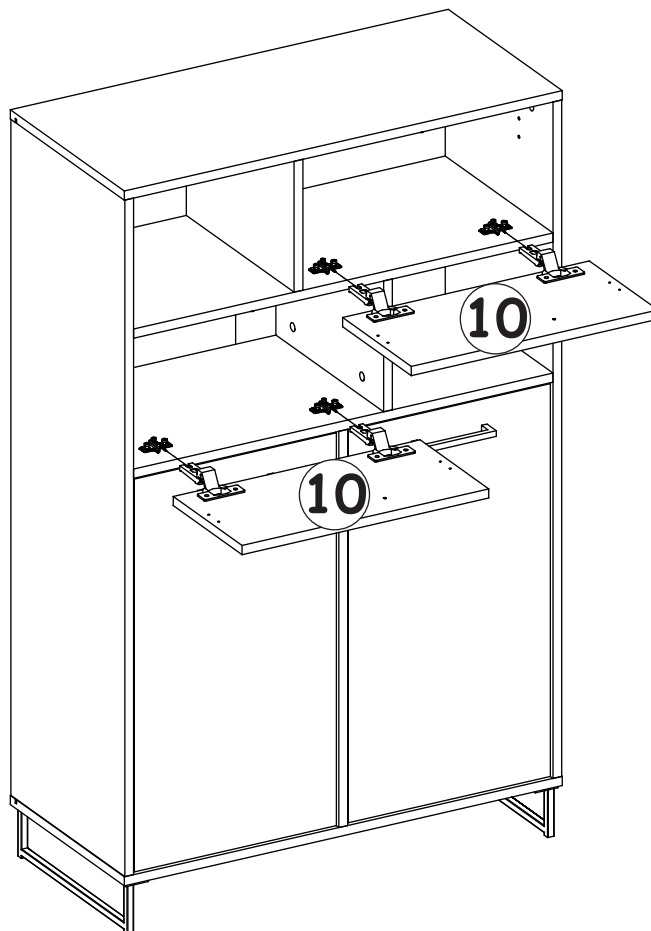
U17	
x2	L-128mm.

UP6	
x4	UPØ4x30

Z2	
x4	Ø5



18



19

