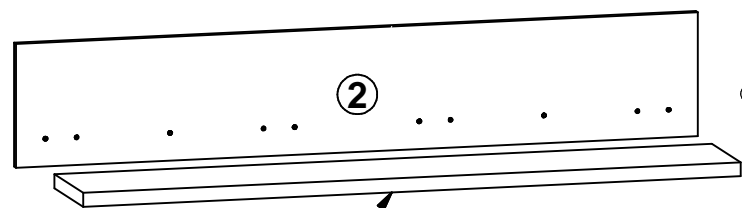
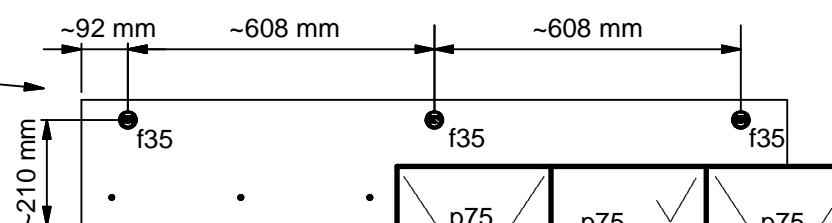
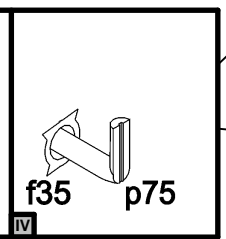
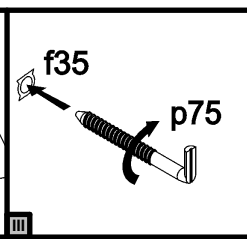
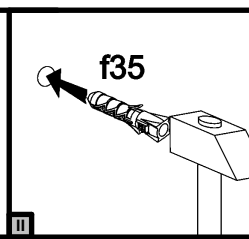
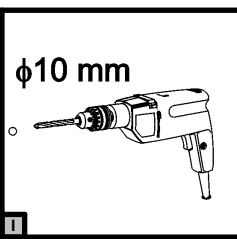
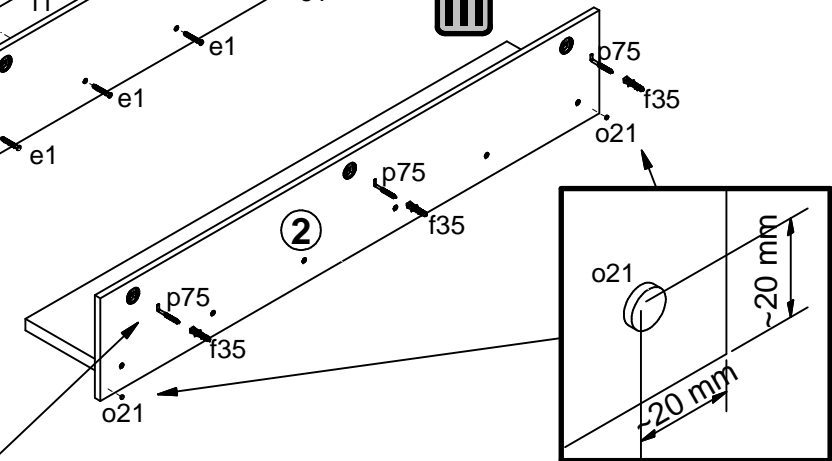
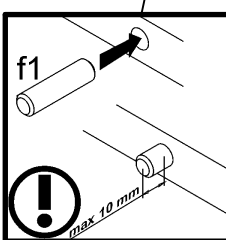
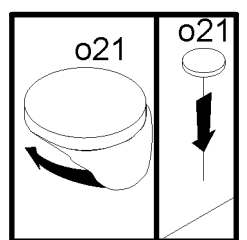
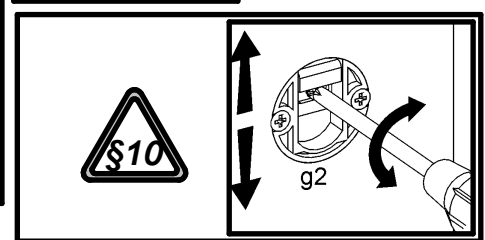
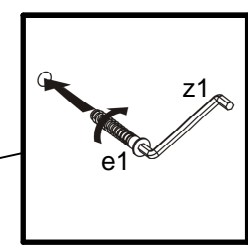
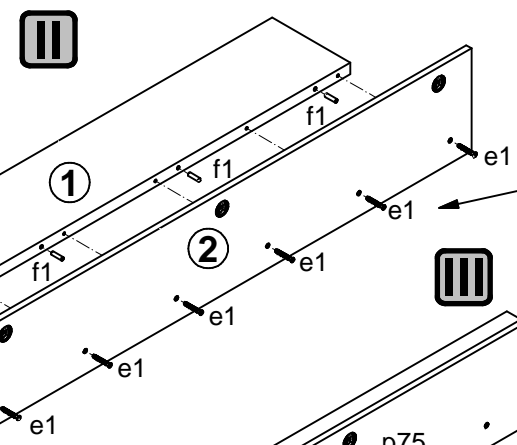
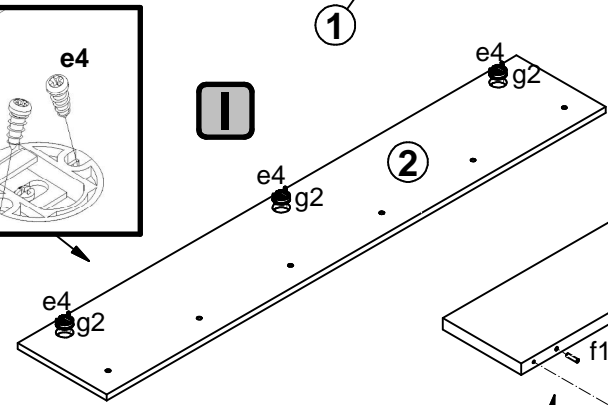
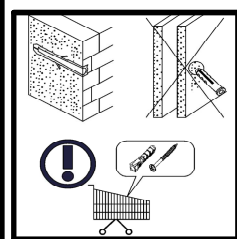
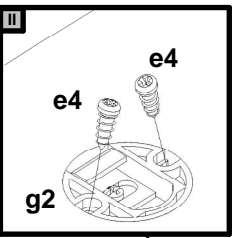
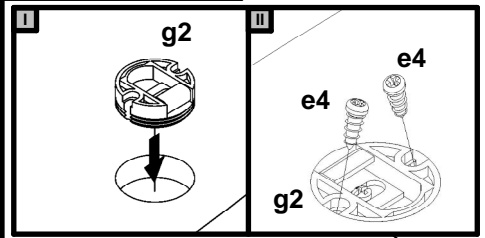


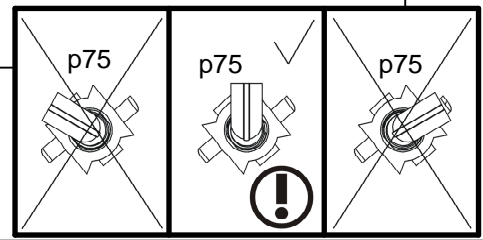
30 min

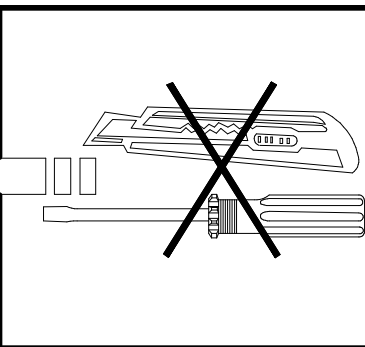
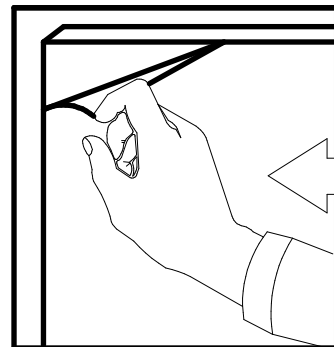
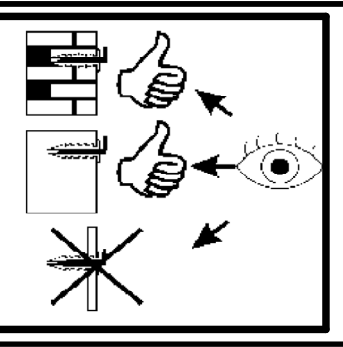
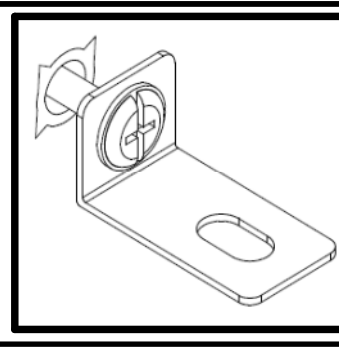
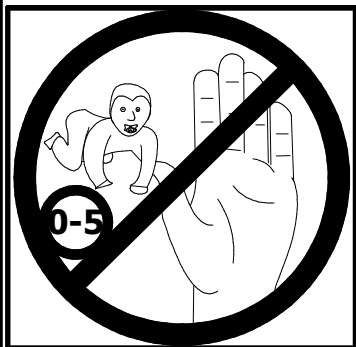
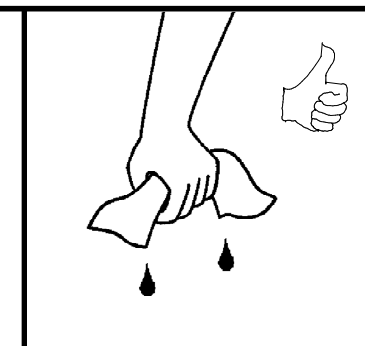
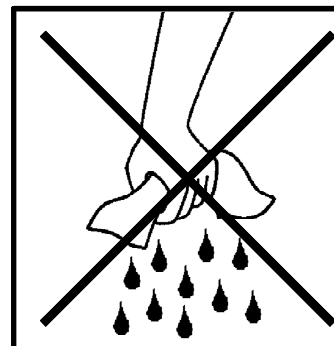
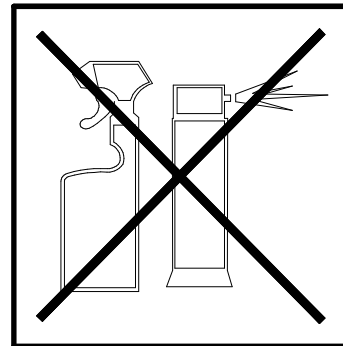
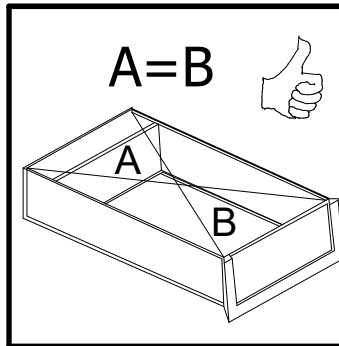
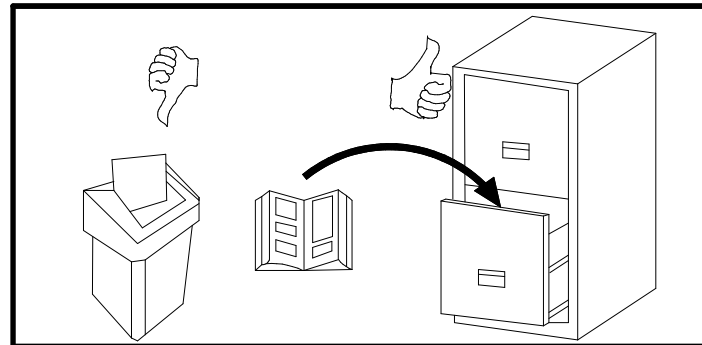
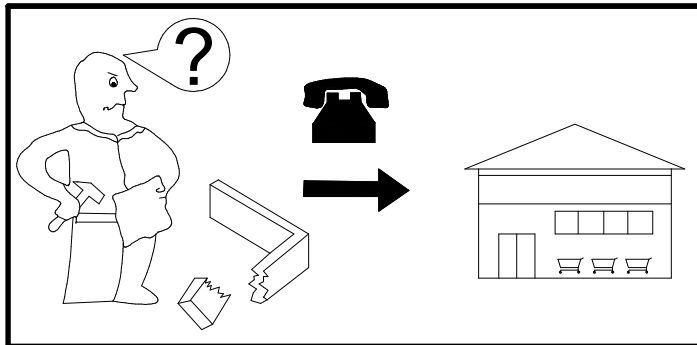
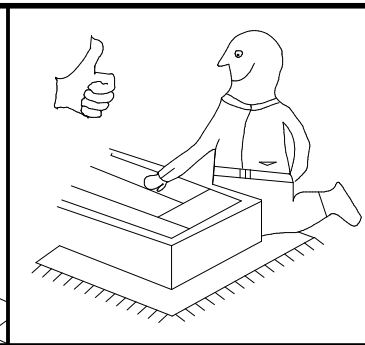
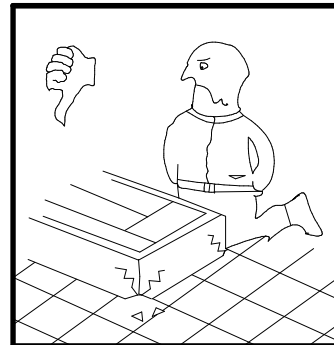
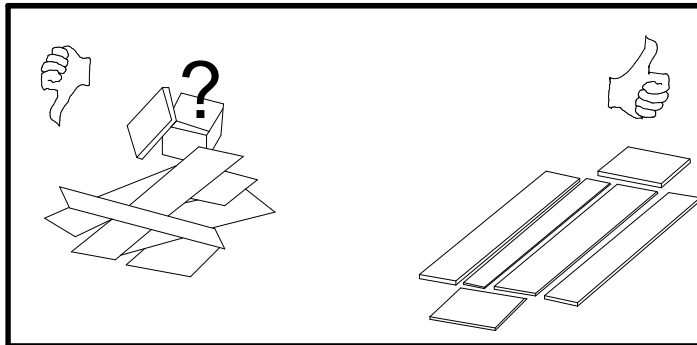
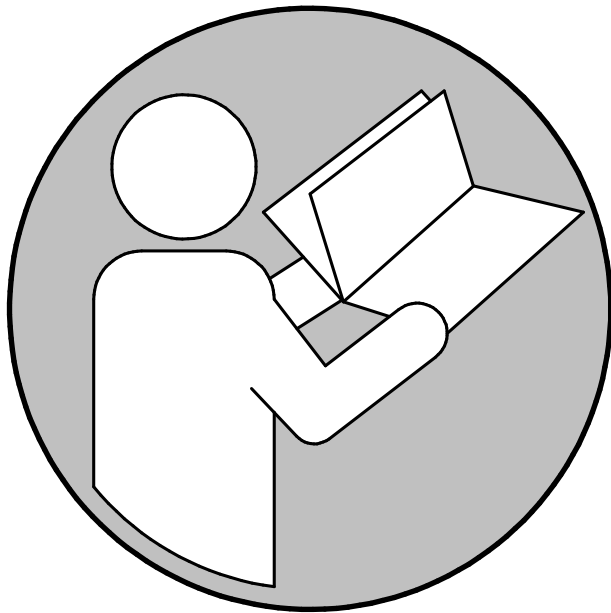


A	B	C (mm)		D
1	S365-3001	1350	220	1/1
2	S365-4001	1400	250	1/1



6x Ø7x50 mm e1	6x Ø5x11 mm e4	cm 0 1 2 3 4 5 6 7 8 9 10									
4x Ø8x30 mm f1	3x Ø10x50 mm f35	3x g2	2x silikon o21	3x Ø6x60 mm p75	1x 4 mm z1						





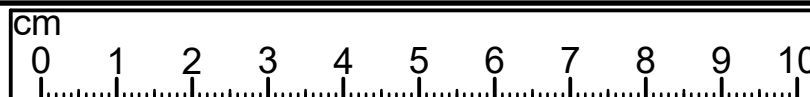
90 min

Ø10 mm

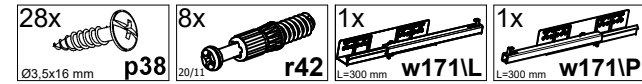
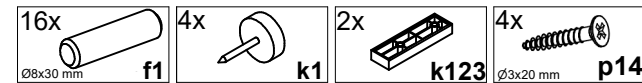
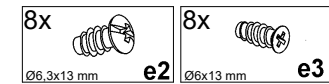
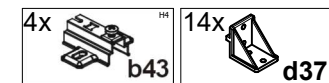
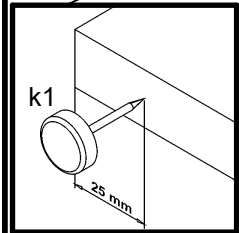
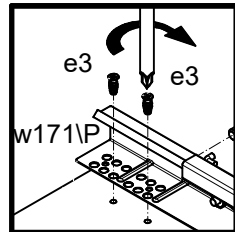
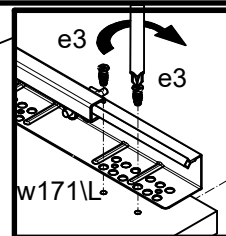
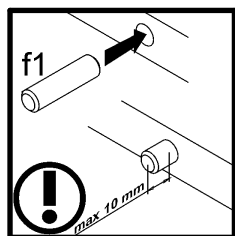
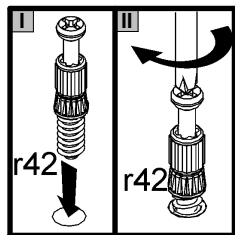
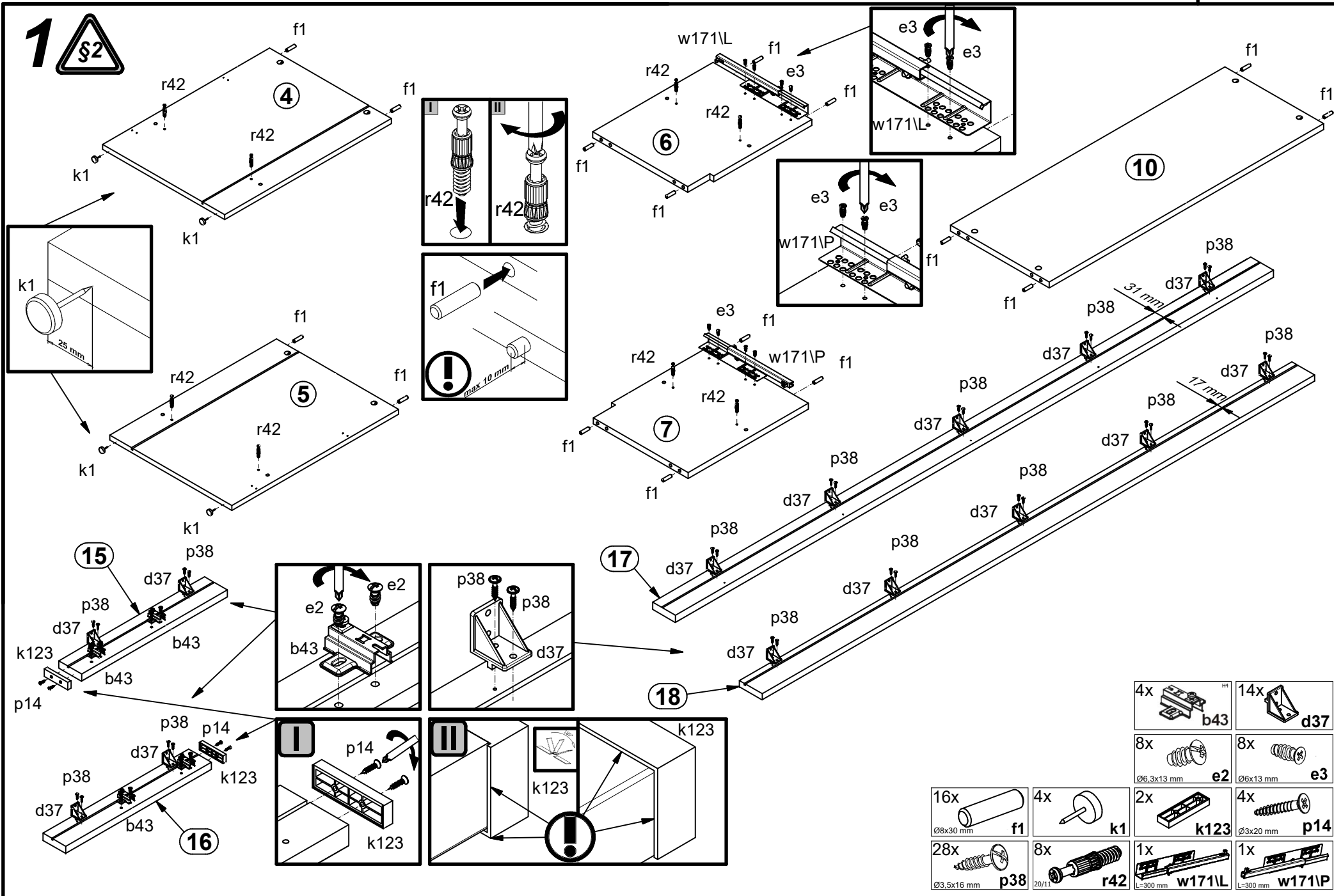
max 5 kg

max 4 kg

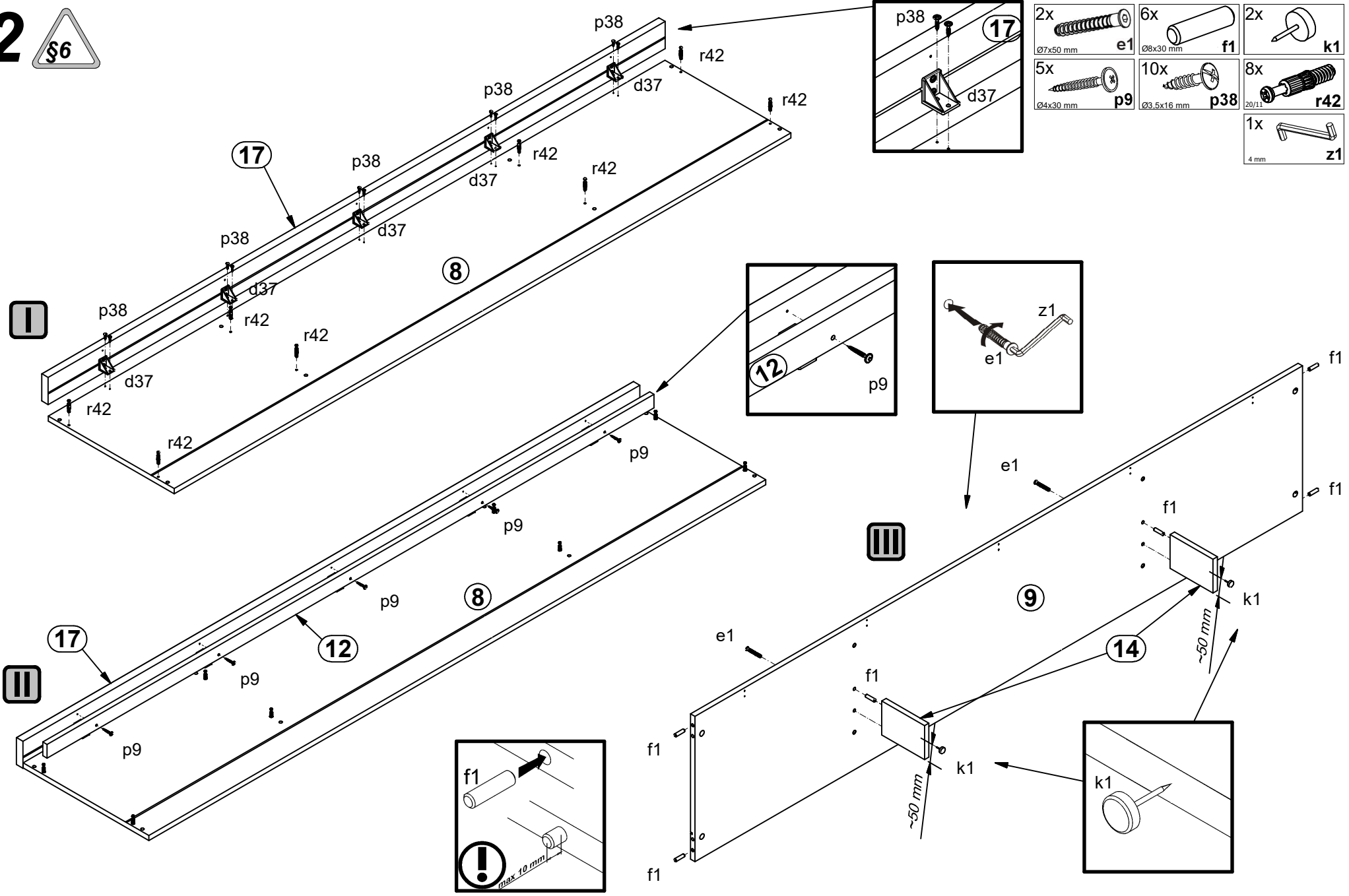
A	B	C (mm)			D
1	S392-0010	351	471	15	1/2
2	S392-0011	351	471	15	1/2
3	S392-0012	970	192	15	1/2
4	S392-1033	585	428	15	1/2
5	S392-1034	585	428	15	1/2
6	S392-1035	422	347	18	1/2
7	S392-1036	422	347	18	1/2
8	S392-2009	2097	428	15	2/2
9	S392-3017	2066	428	15	2/2
10	S392-3018	963	346	18	1/2
11	S392-3019	1350	220	28	1/2
12	S392-4009	2064	40	15	2/2
13	S392-4011	1400	250	15	1/2
14	S365-5005	146	100	15	1/2
15	S392-5028	511	80	22	2/2
16	S392-5029	511	80	22	2/2
17	S392-5030	2098	80	22	2/2
18	S392-5031	1938	80	19	2/2
19	S392-9009	2076	432	2,5	2/2
20	S392-9010	933	304	2,5	2/2
21	ZQ2-1574	923	107	16	1/2
22	ZQ3-515	300	120	12	2/2
23	ZQ3-516	300	120	12	2/2



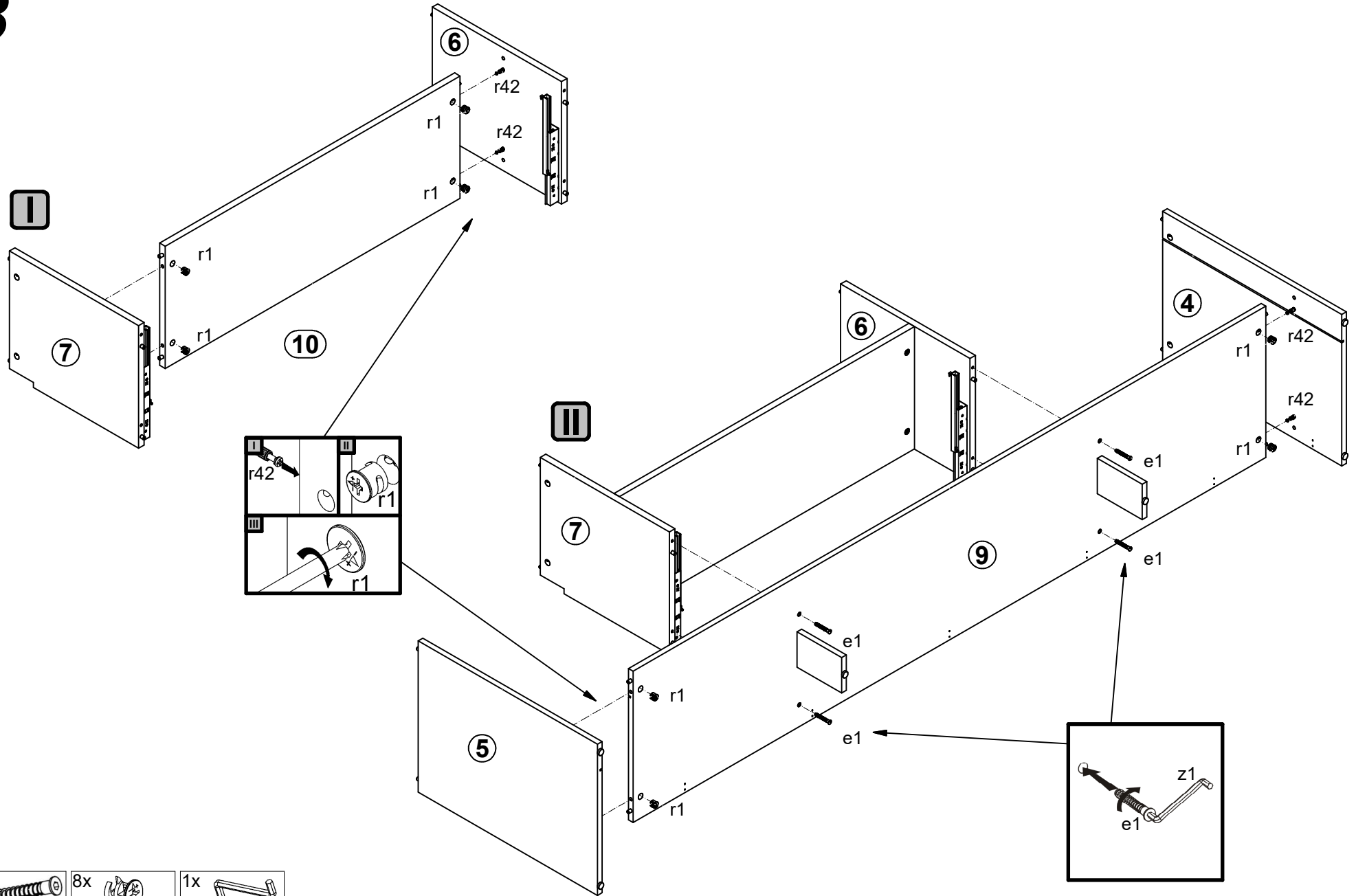
4x a132	2x a133	4x b43	3x c329/2 L=212 mm	14x d37	12x e1 Ø7x50 mm	8x e2 Ø6,3x13 mm	8x e3 Ø6x13 mm	26x f1 Ø8x30 mm	2x f9 Ø6x30 mm	4x f25 Ø6,5x40 mm	5x f35 Ø10x50 mm	6x k1
2x k123	20x l1 1,4x20 mm	10x l2	2x n211 30x15x16/2	6x p8 Ø4x25 mm	5x p9 Ø4x30 mm	4x p14 Ø3x20 mm	2x p17 Ø5x60 mm	1x p25 Ø3,5x16 mm	1x p35 Ø3,5x10 mm	62x p38 Ø3,5x16 mm	8x p51 Ø3,5x15 mm	3x p75 Ø6x60 mm
16x r1 Ø15x12 mm #16	4x r15 Ø12x10,5 mm #12	20x r42 20/11	6x s104 silikon Ø12,7x1,8 mm	1x t25 300 mm	1x w171/L L=300 mm	1x w171/P L=300 mm	1x z1 4 mm					



2 §6

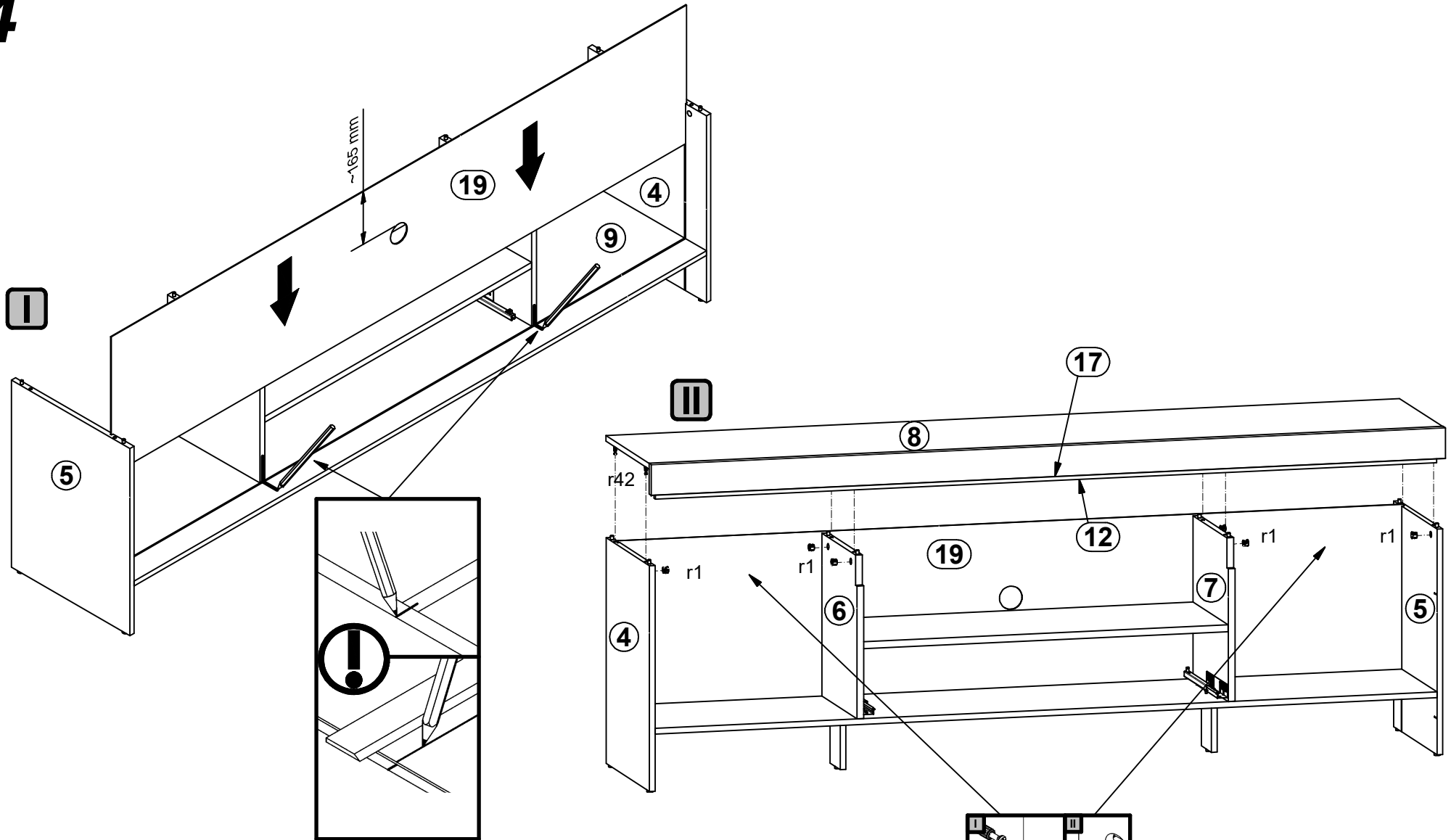



3

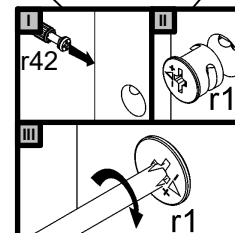


- 4x e1 $\varnothing 7 \times 50$ mm
- 8x r1 $\varnothing 15 \times 12$ mm #16
- 1x z1 4 mm

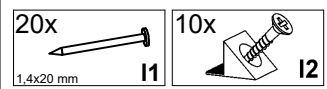
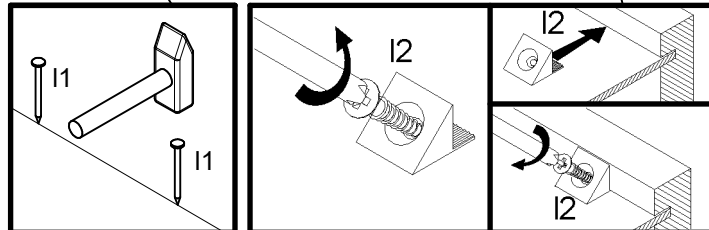
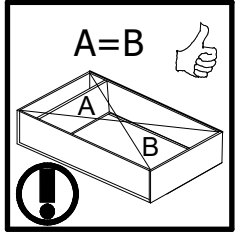
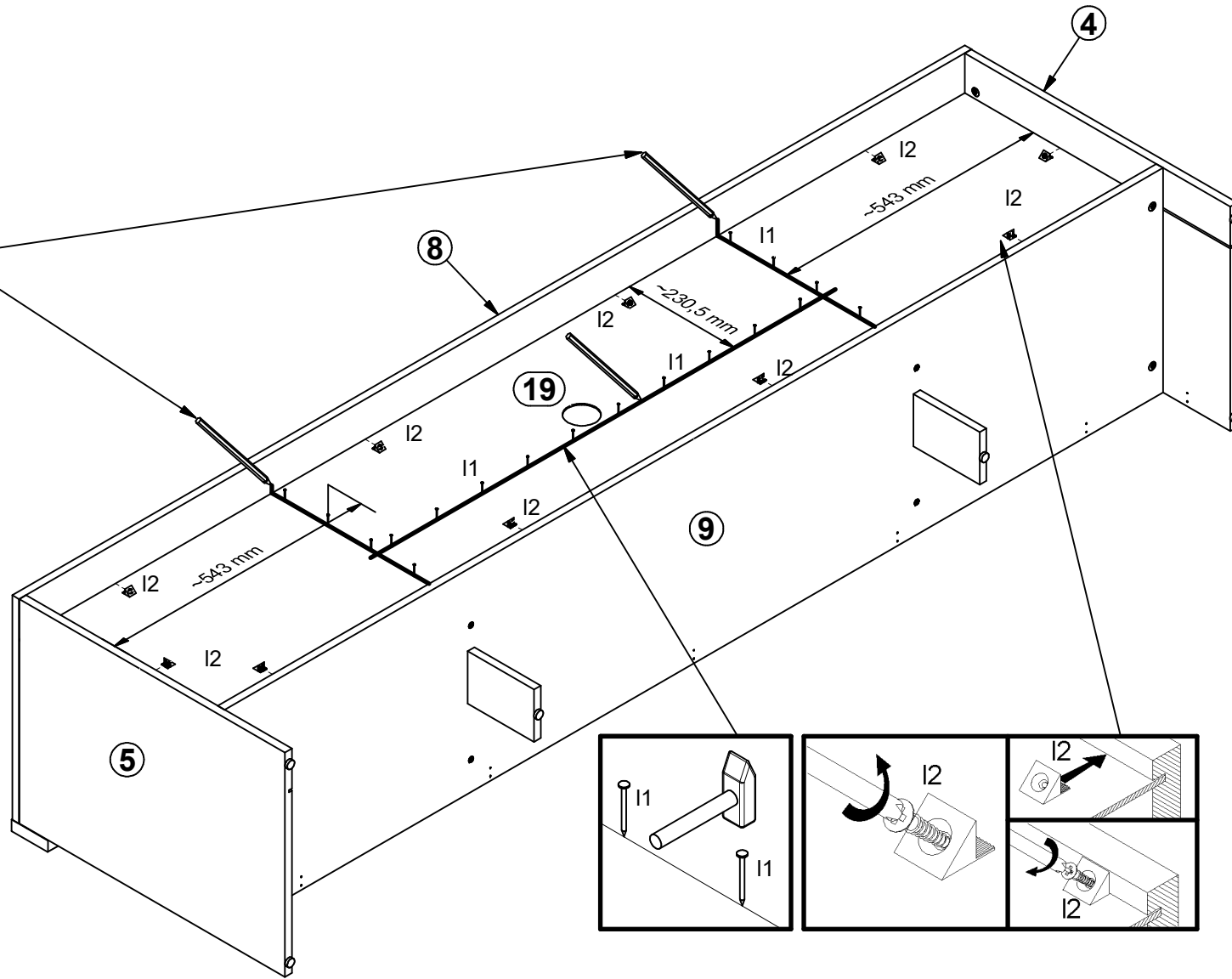
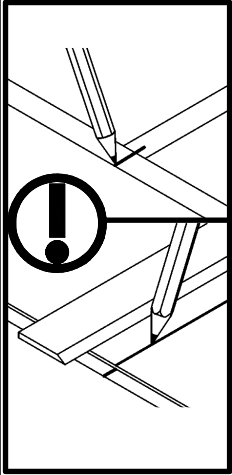
4



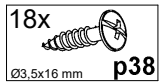
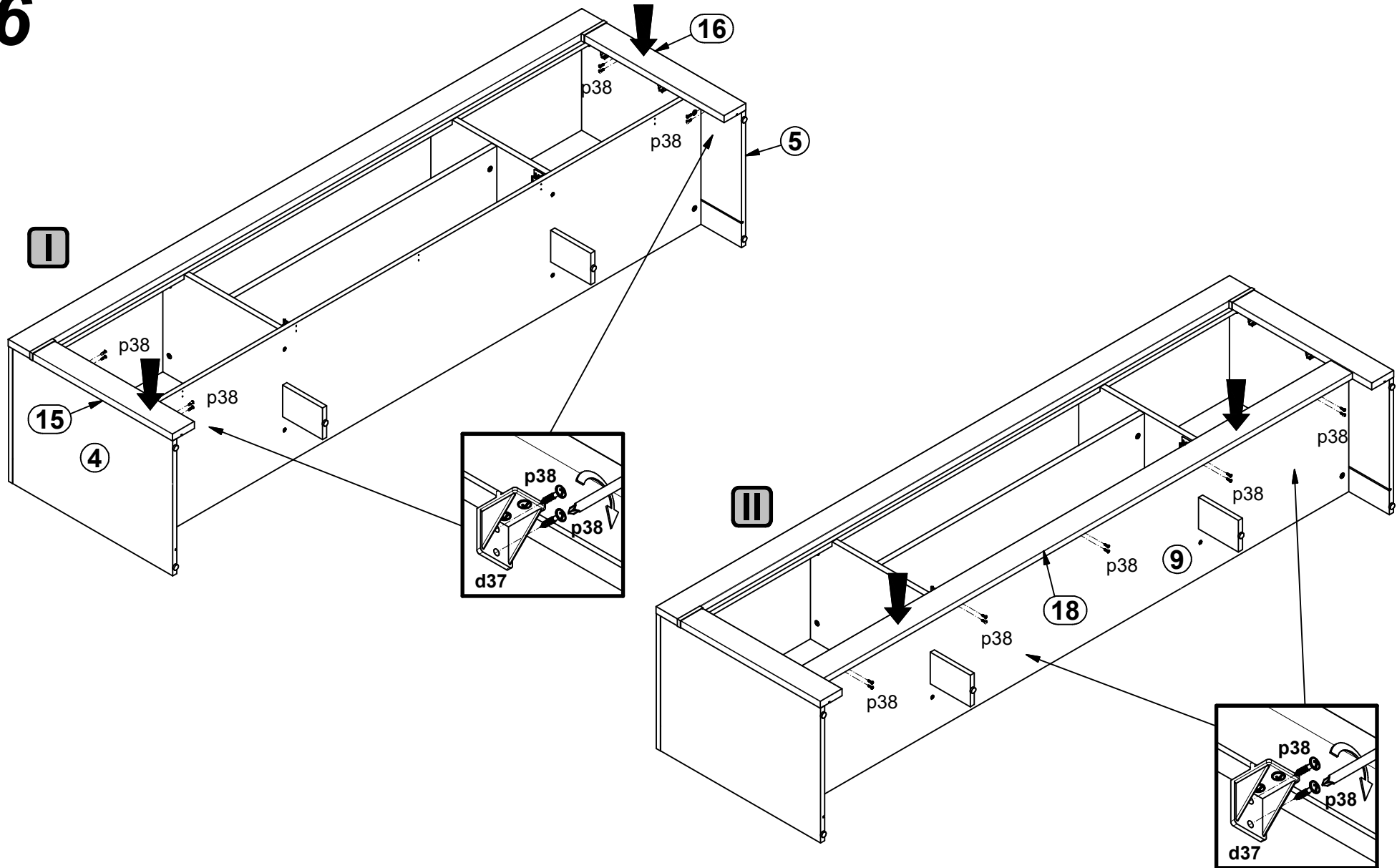
8x  r1
Ø15x12 mm #16



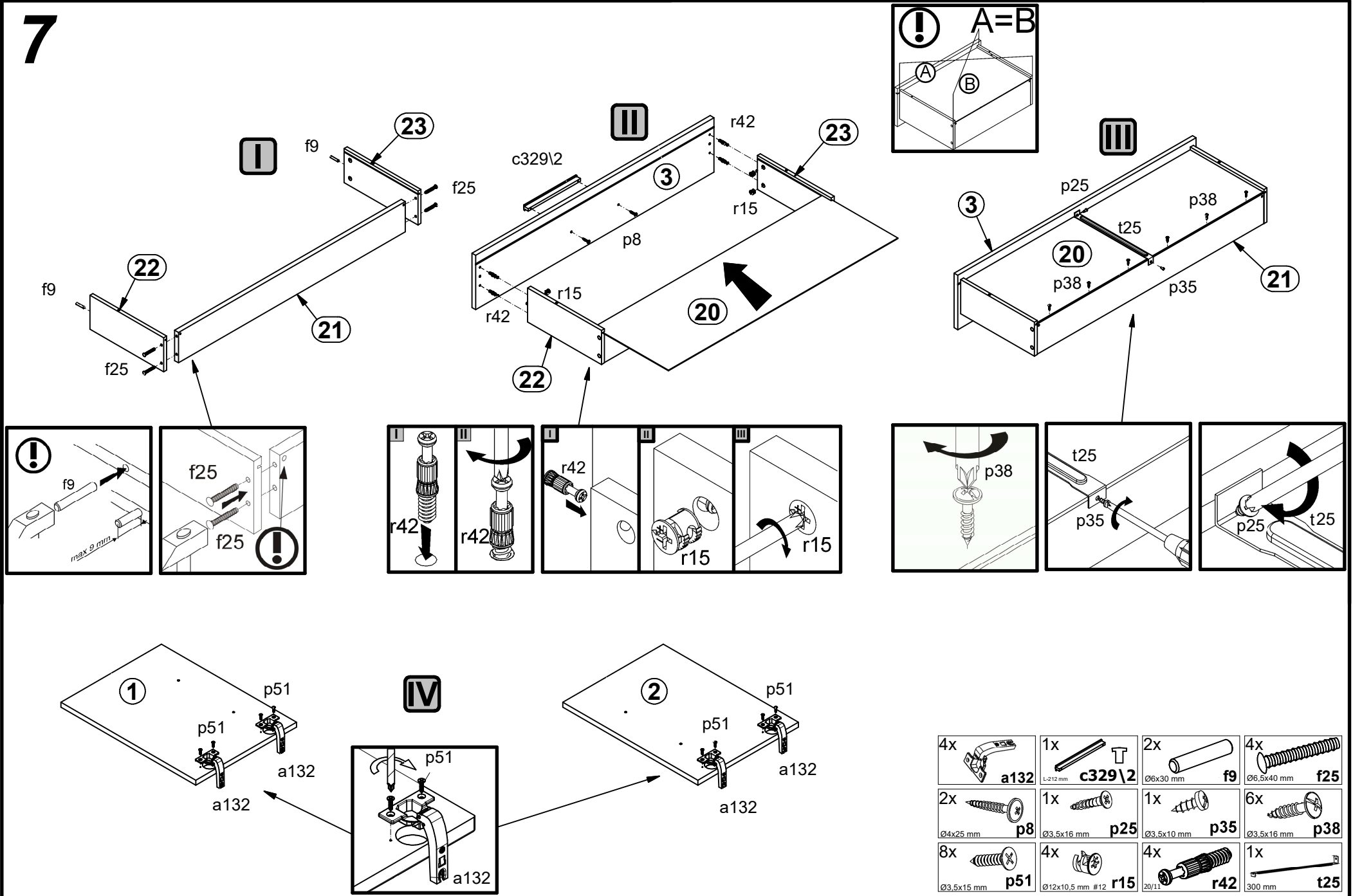
5



6

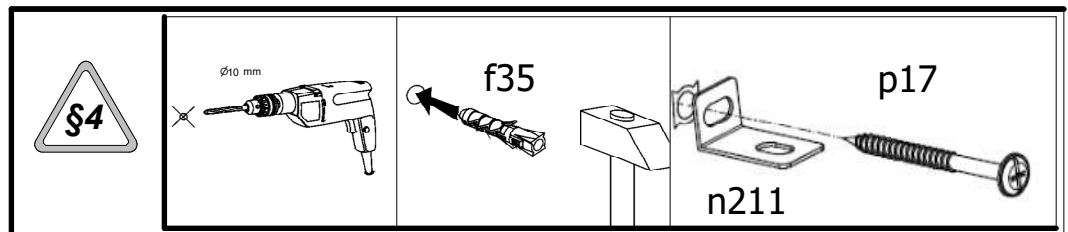
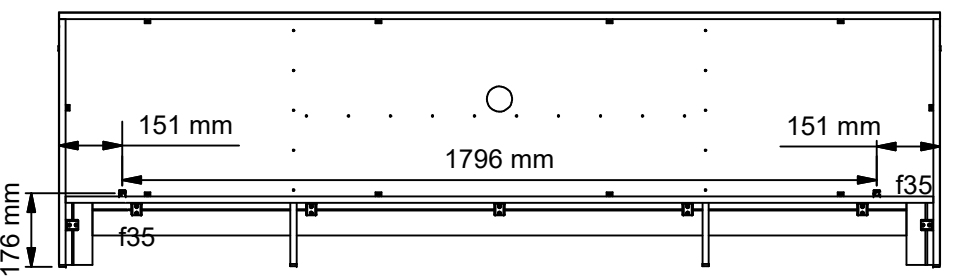
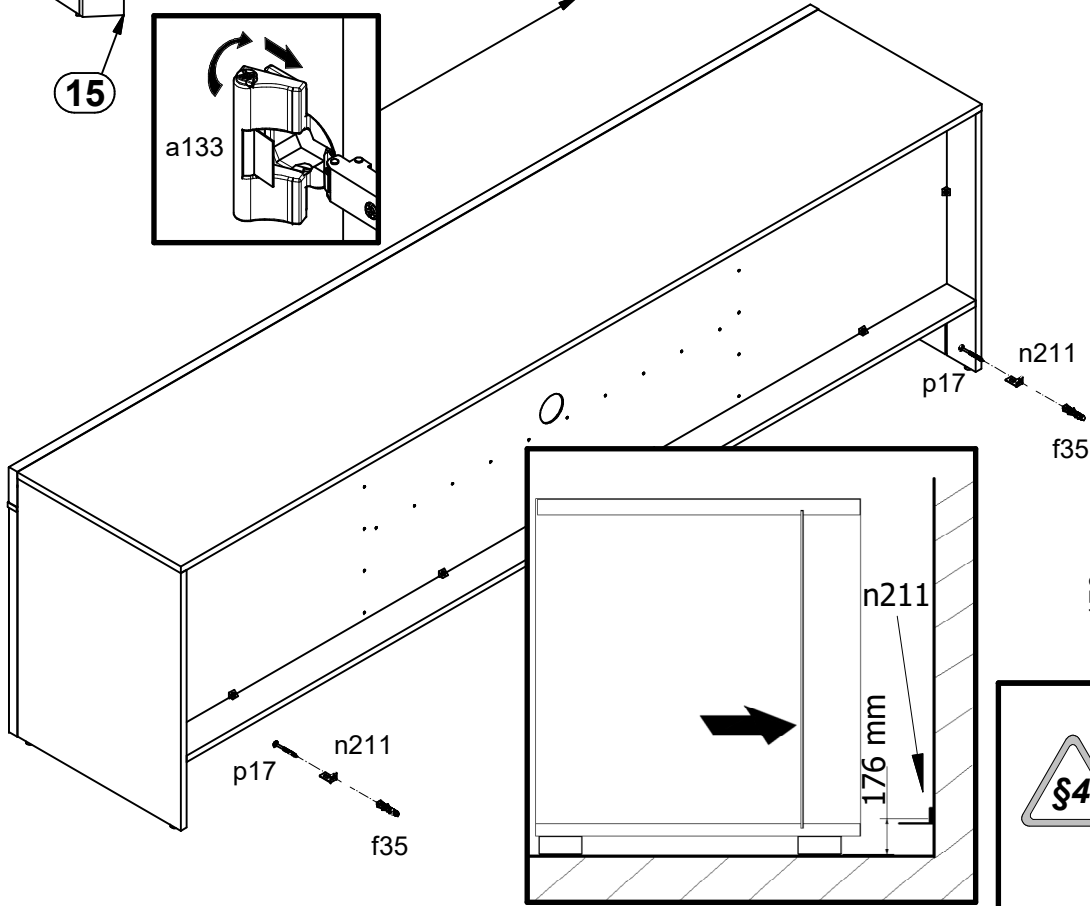
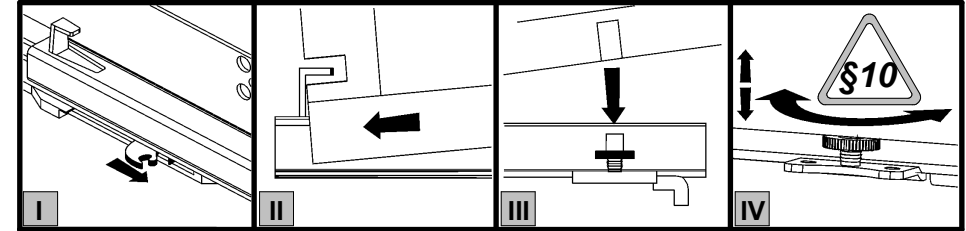
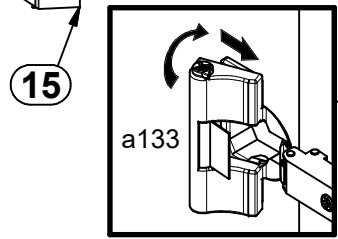
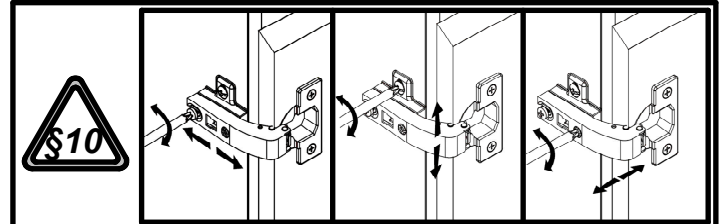
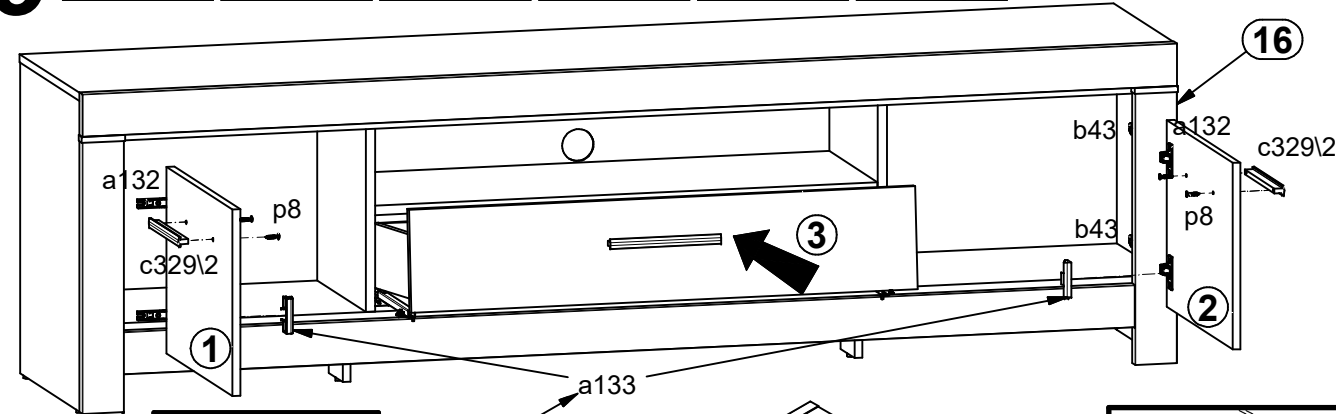


7

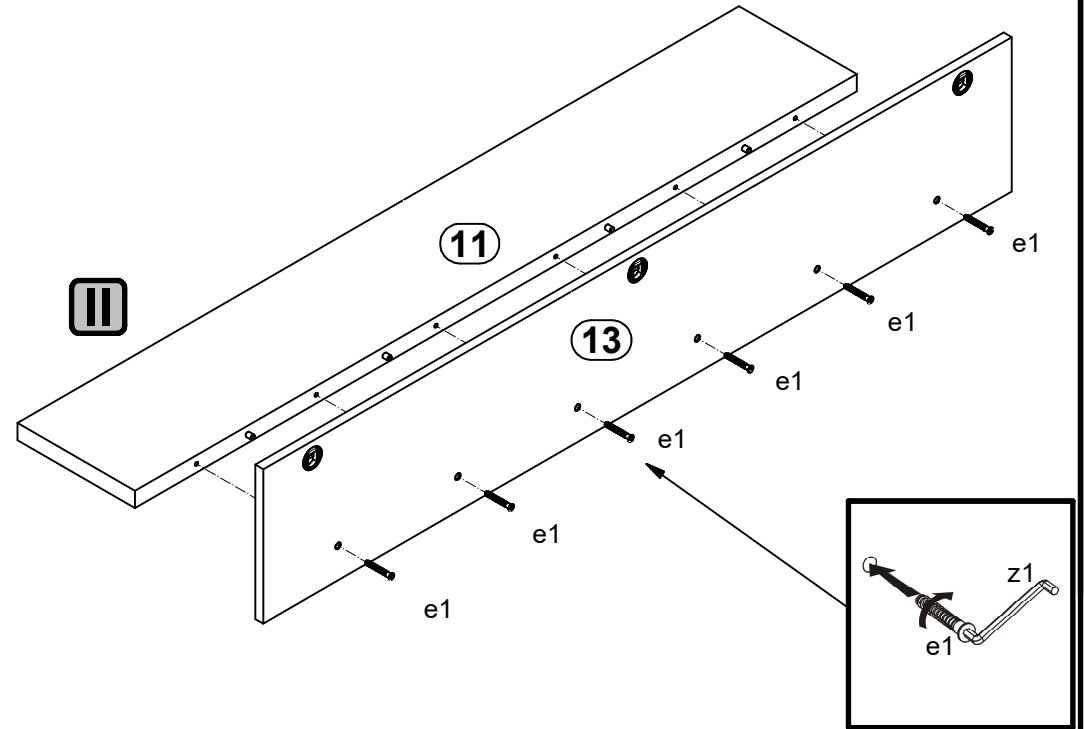
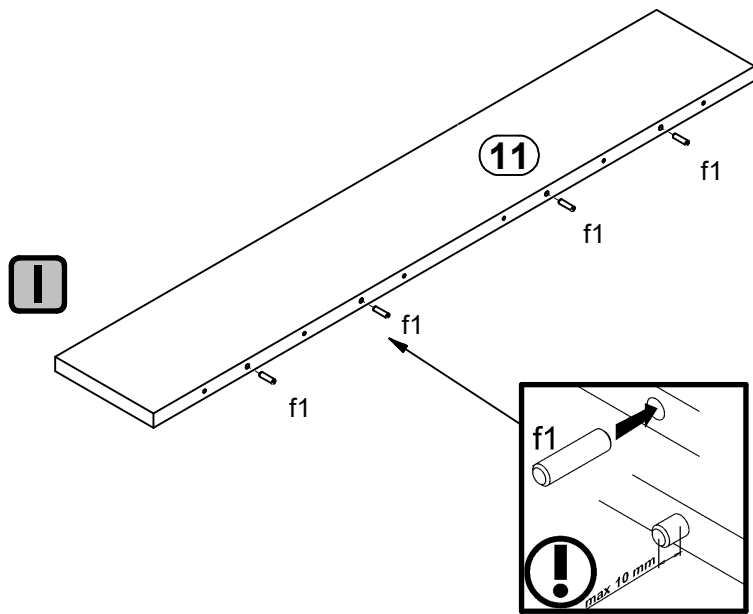





8

- 2x a133
- 2x L-212 mm c329/2
- 2x Ø10x90 mm f35
- 2x 30x15x16/2 n211
- 4x Ø4x25 mm p8
- 2x Ø5x60 mm p17



9  



6x  e1 Ø7x50 mm	4x  f1 Ø8x30 mm	1x  z1 4 mm
---	---	---

10 

