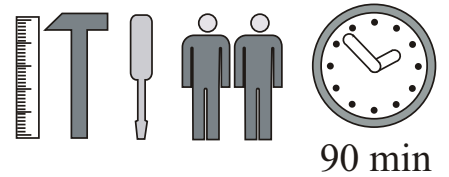
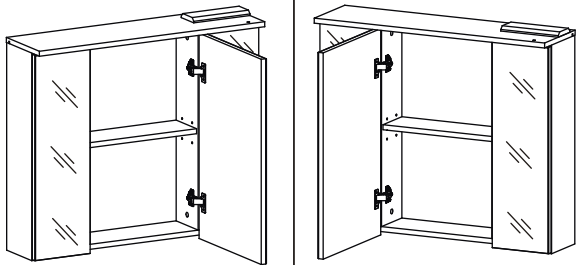
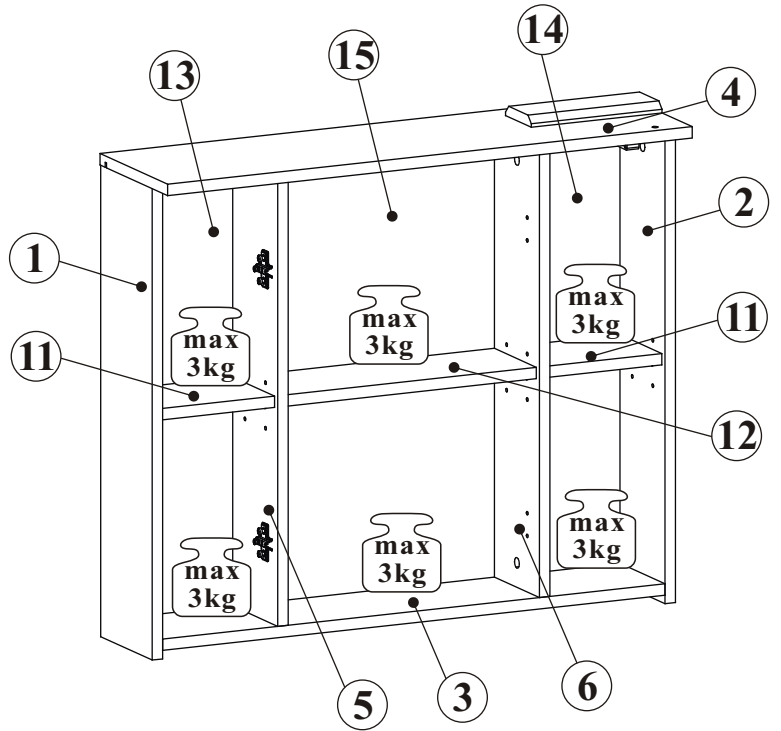
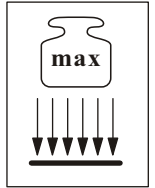
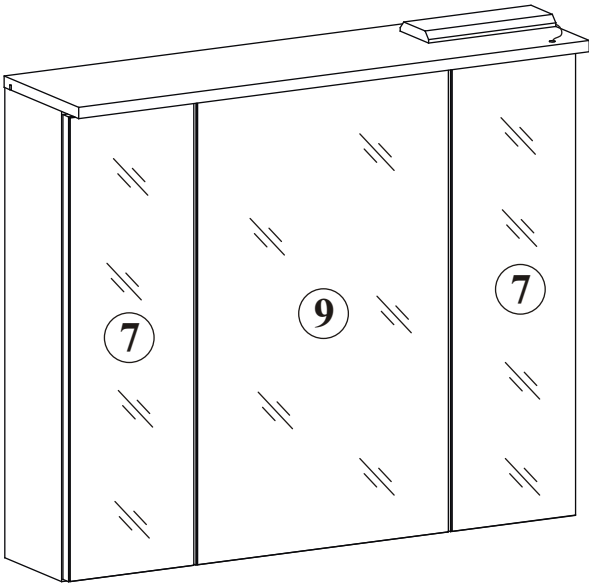
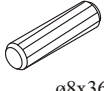
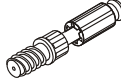


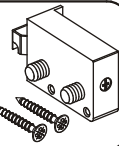
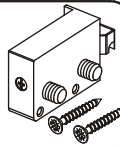
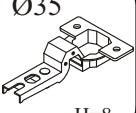
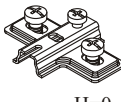

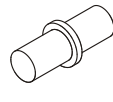

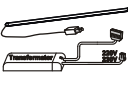
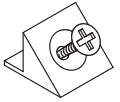
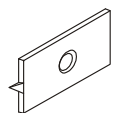

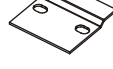
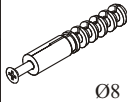



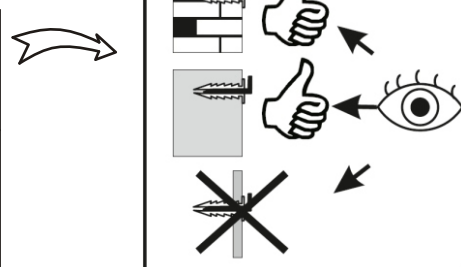
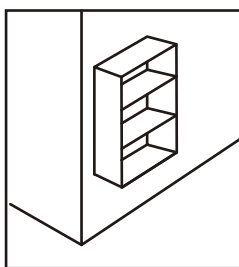
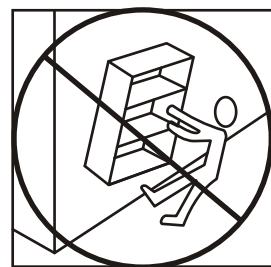
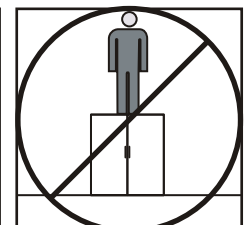
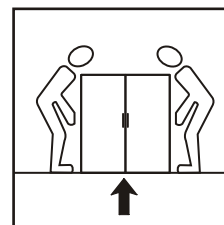
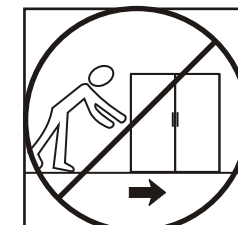
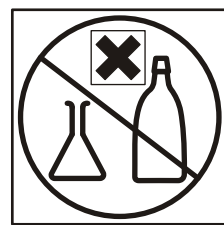
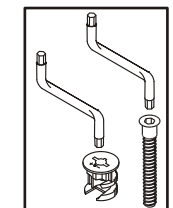
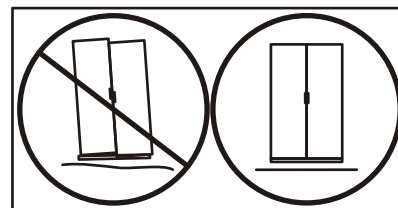
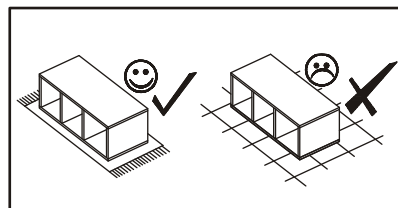
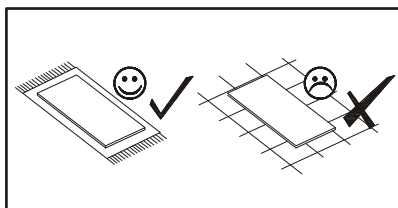
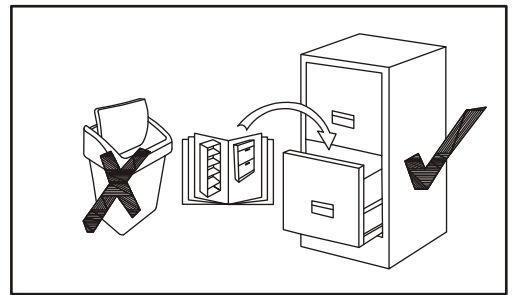
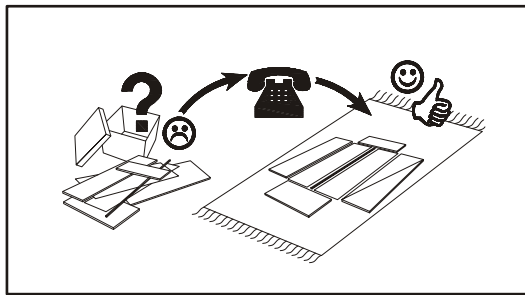
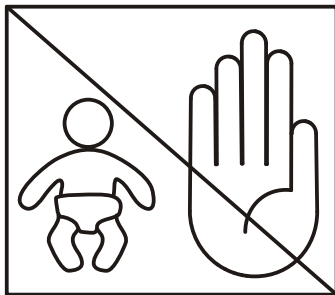
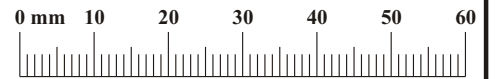
# ROOF 54-967-\_\_-6



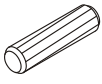
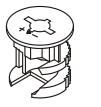
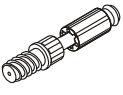
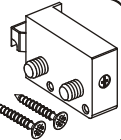
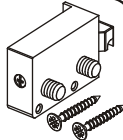
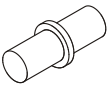
90 min

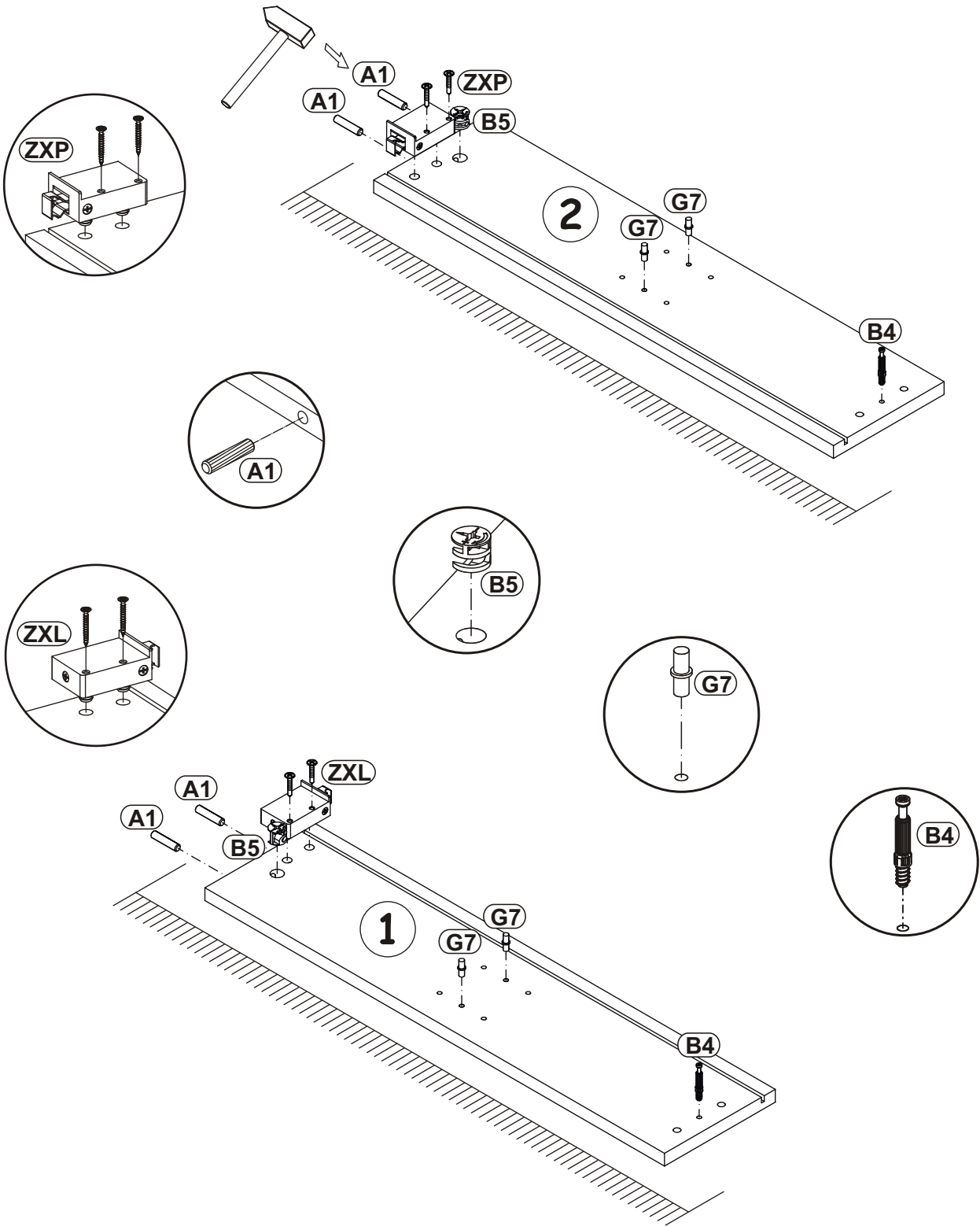
NO	Dim.			Col.-No	Qty
1	664	160	16	1	1
2	664	160	16	1	1
3	768	160	16	1	1
4	802	210	16	1	1
5	636	140	16	1	1
6	636	140	16	1	1
7	656	196	19	1	2
9	656	396	19	1	1
11	176	130	16	1	2
12	384	130	16	1	1
13	648	190	3	1	1
14	648	190	3	1	1
15	648	400	3	1	1

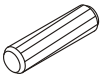

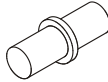
A1 x16  ø8x36	B4 x8 	B5 x8  ø15x12	G5 x8 	ZXL x1 	ZXP x1 
E23 x6 Ø35 H=8 	E2 x6 H=0 	D10 x12 USØ3,5x13 	G7 x12 	Z2 x4 Ø5 	LT1 x1 
S1 x12 	G16 x10 	UP13 x10 UPØ3x16 	SZ7 x2 	KR1 x4 Ø8 	G2 x1 

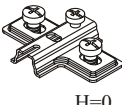


1

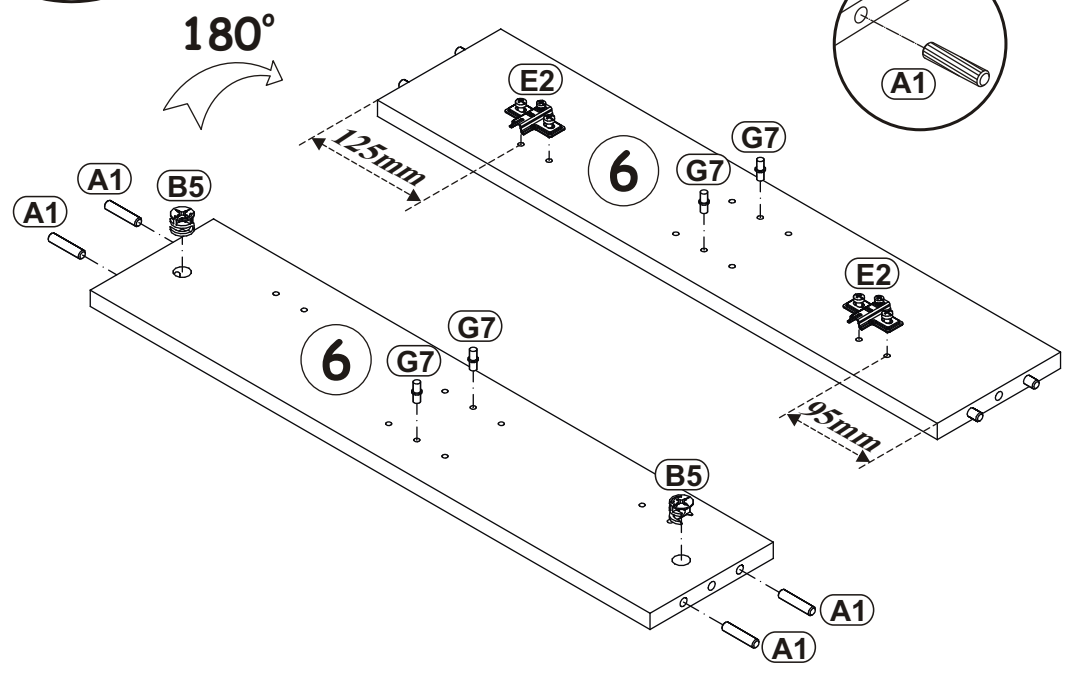
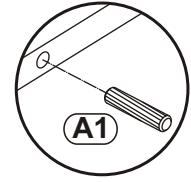
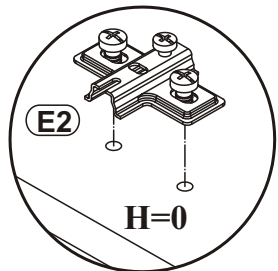
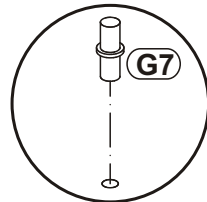
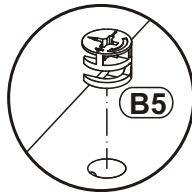
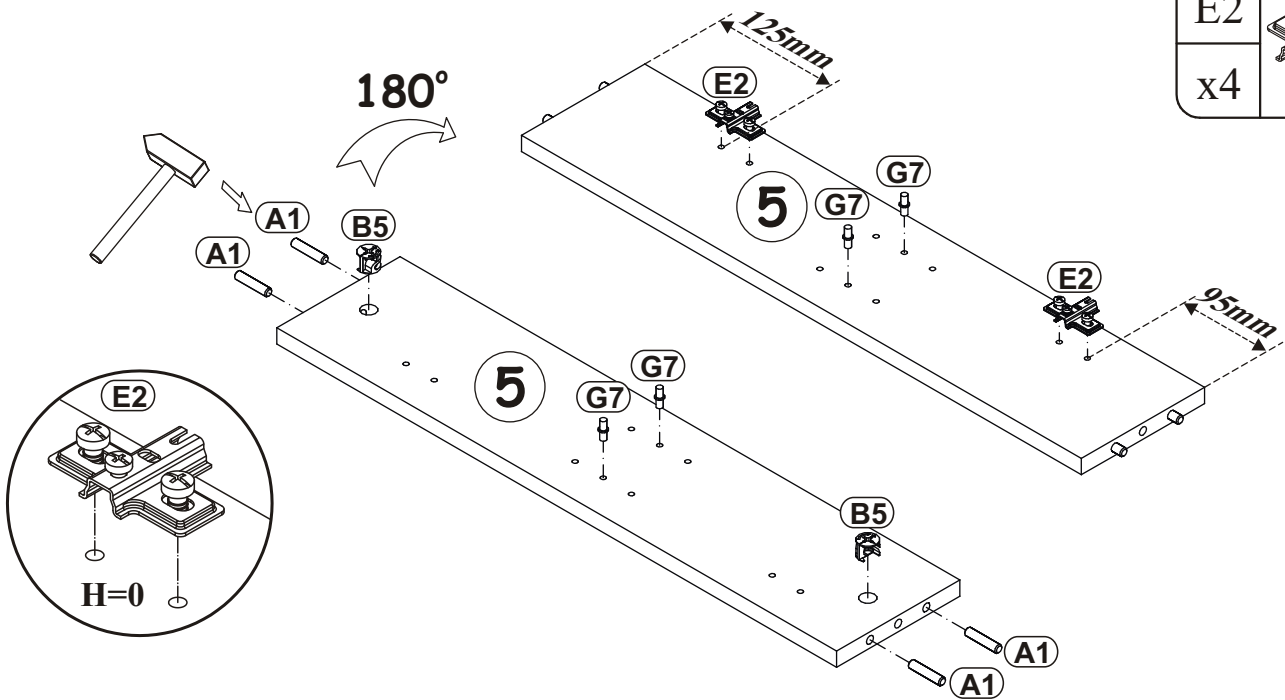
A1		B5		B4	
x4	ø8x36	x2	ø15x12	x2	
ZXL		ZXP		G7	
x1		x1		x4	



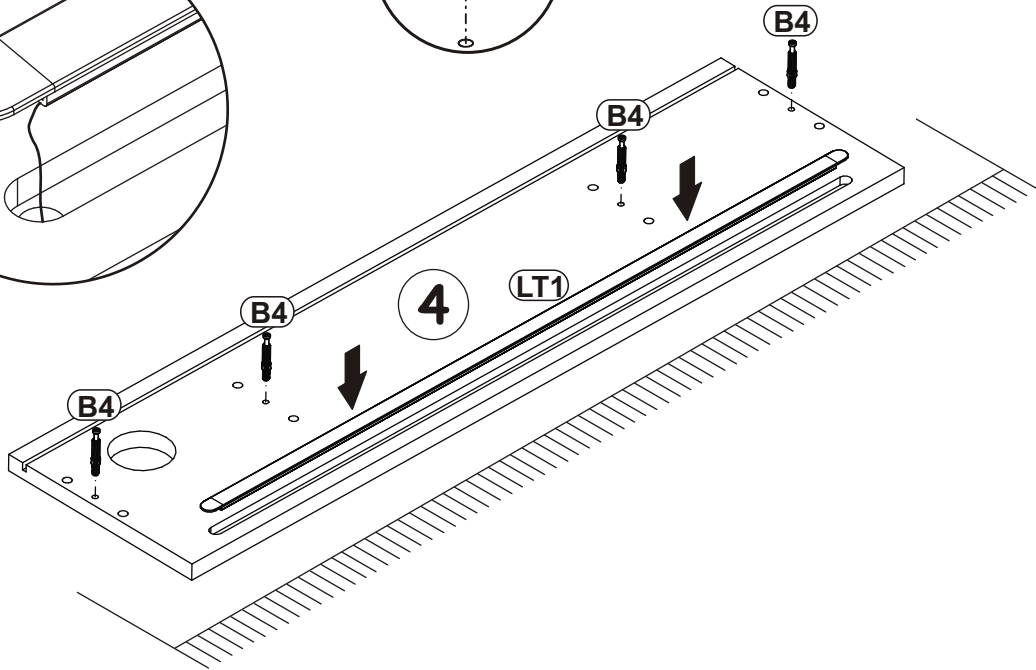
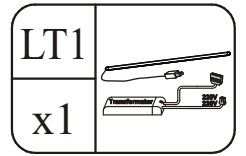
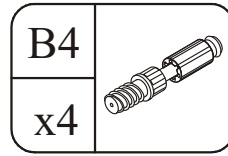
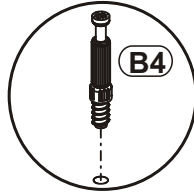
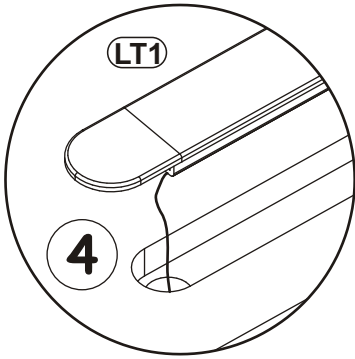
A1		B5		G7	
x8	ø8x36	x4	ø15x12	x8	

E2	
x4	H=0

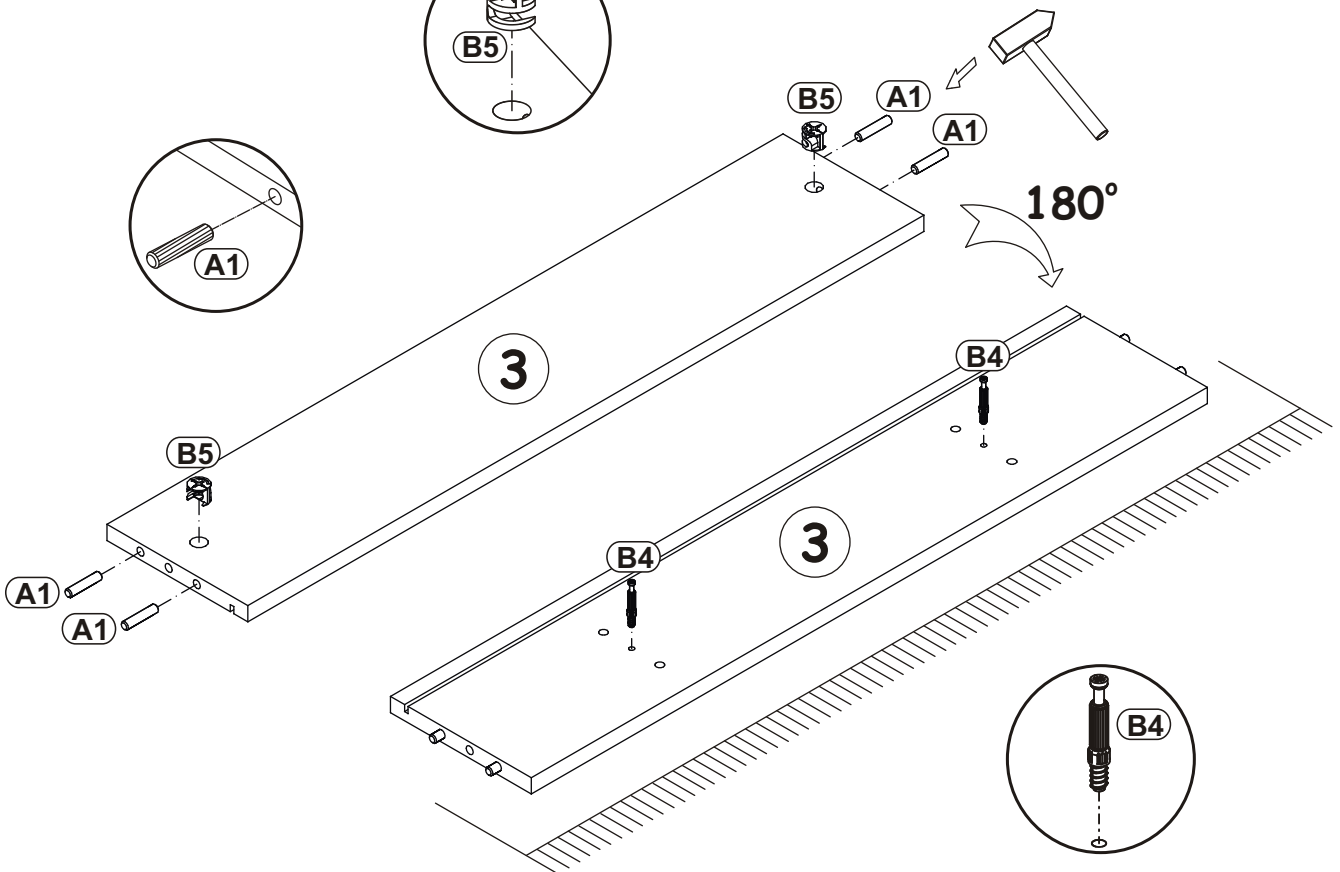
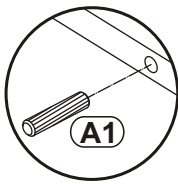
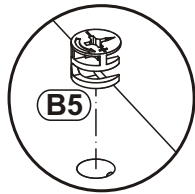
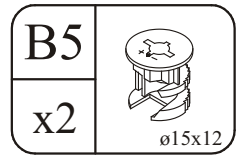
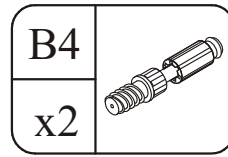
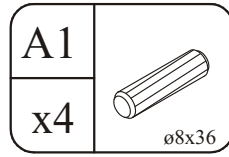
2



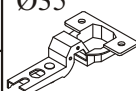

3

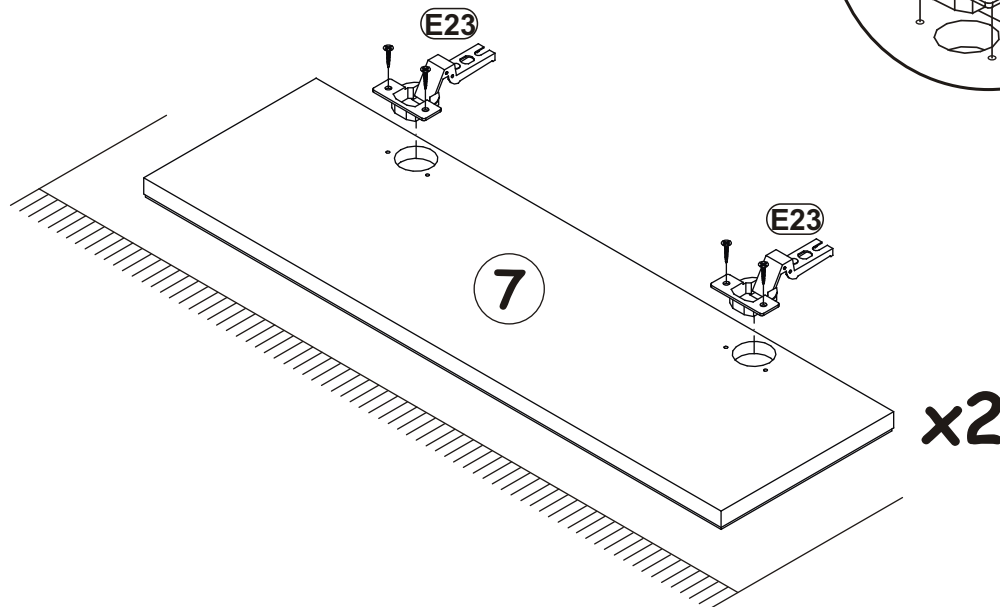
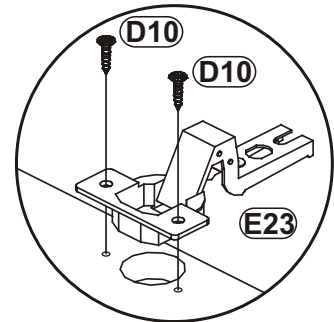
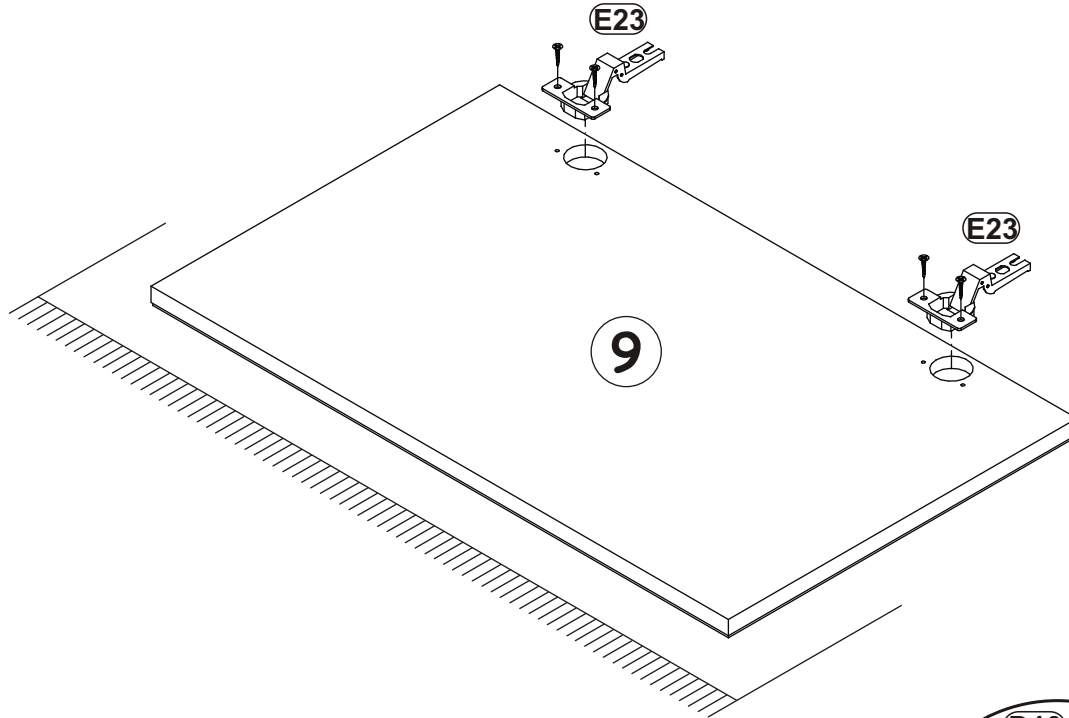



4



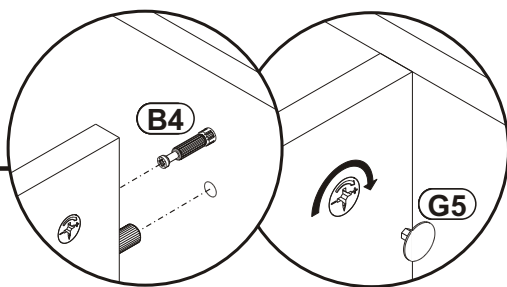
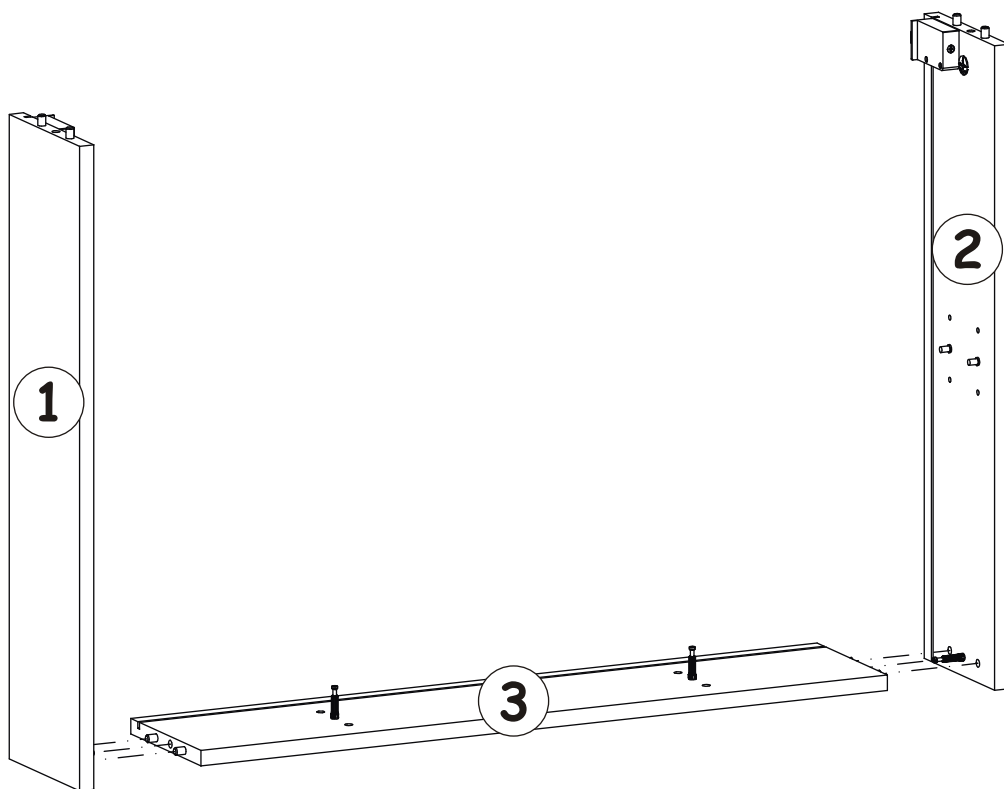
5

E23	Ø35  H=8	D10  USØ3,5x13
x6		x12




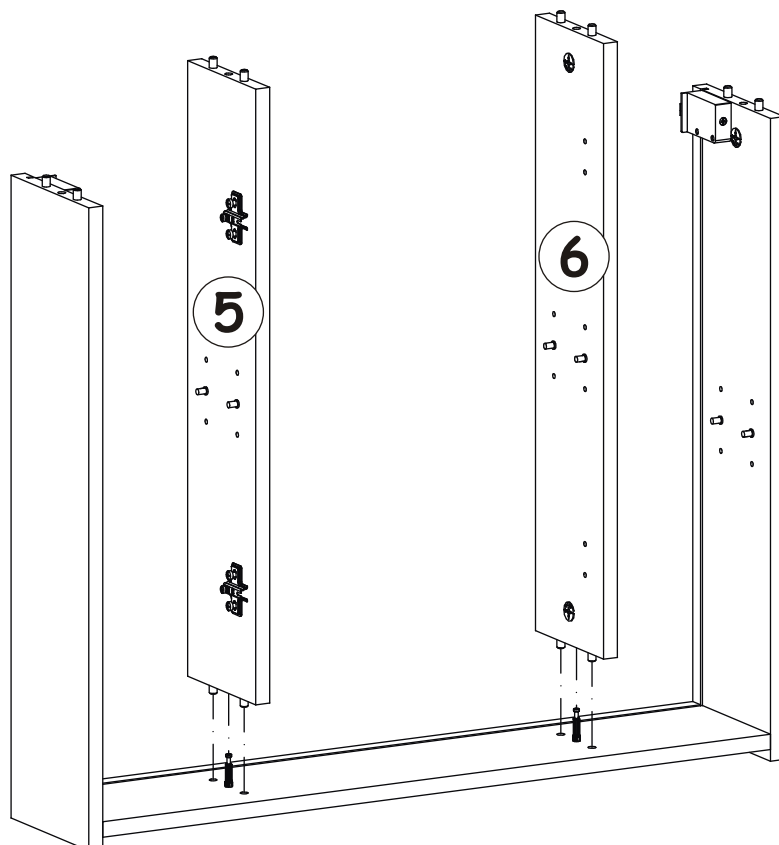
G5	
x2	

6

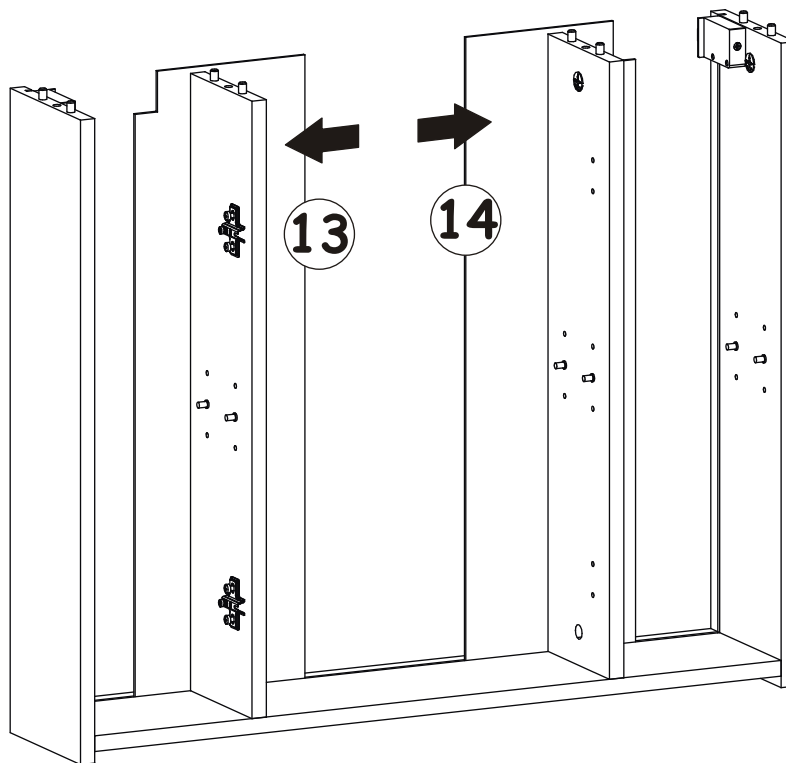


7

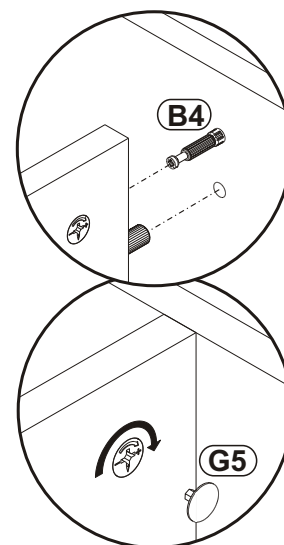
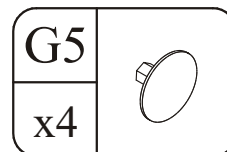
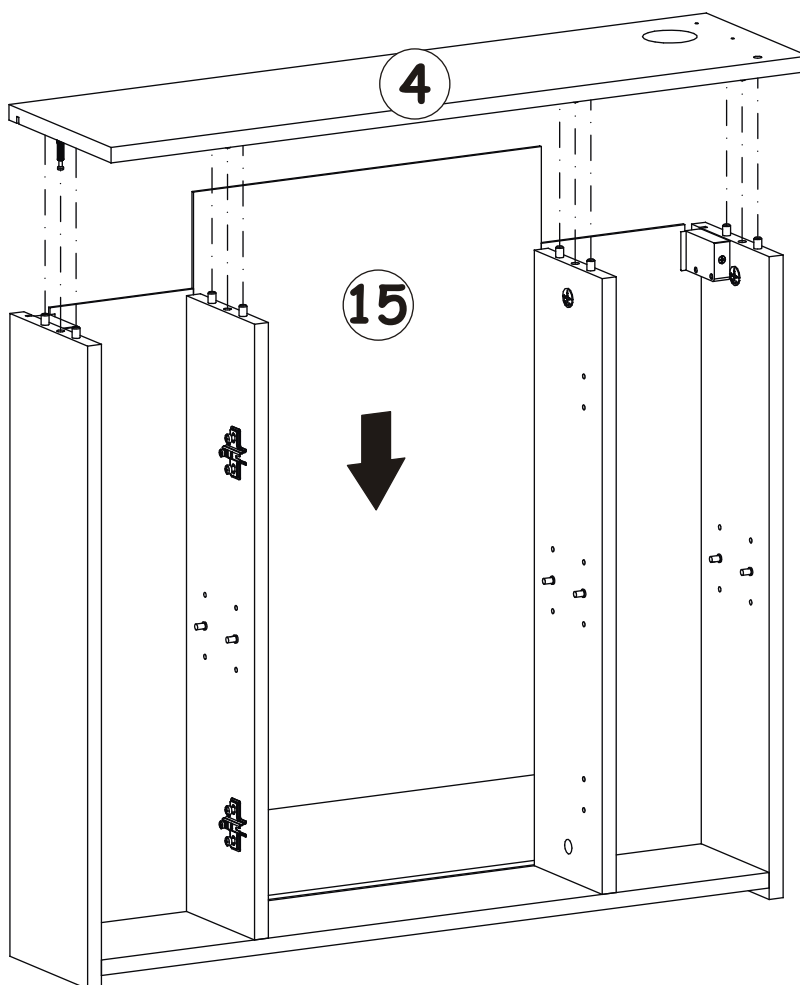
G5	
x2	



8



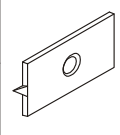

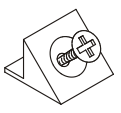
9

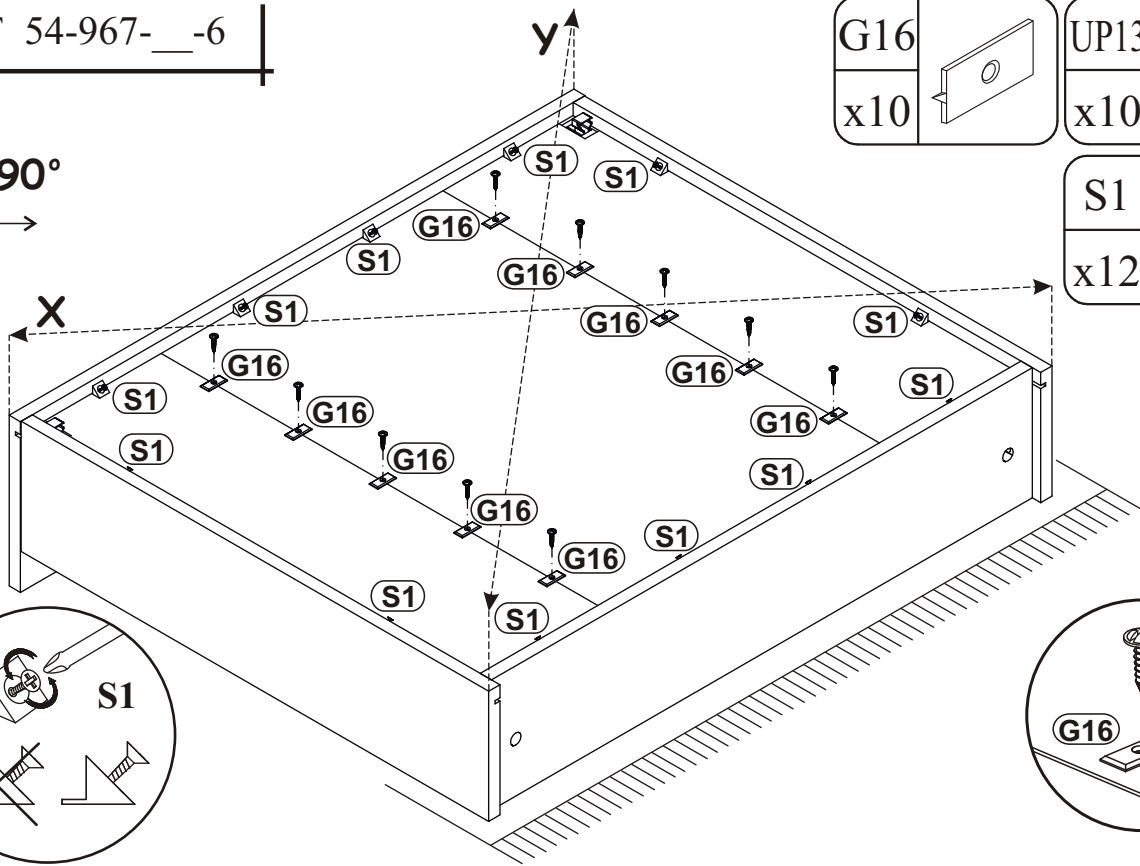
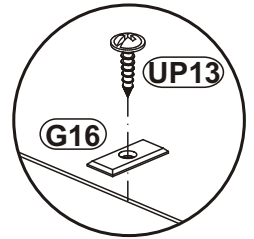
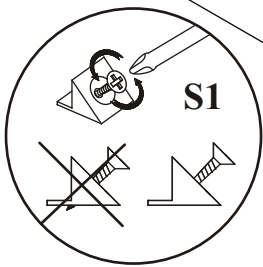






10

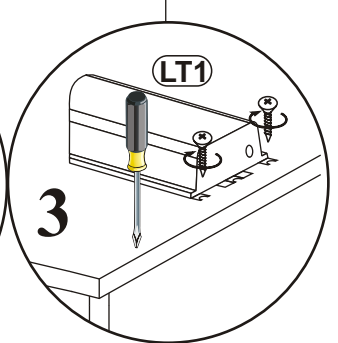
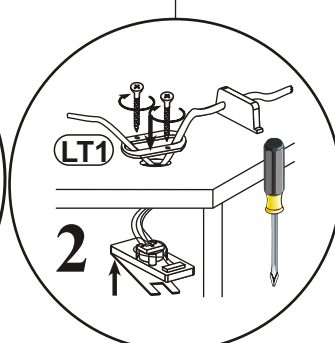
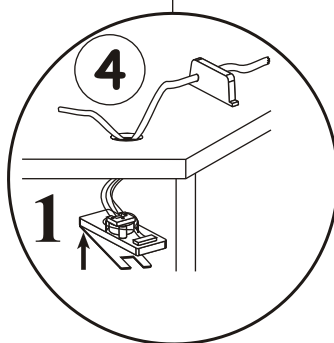
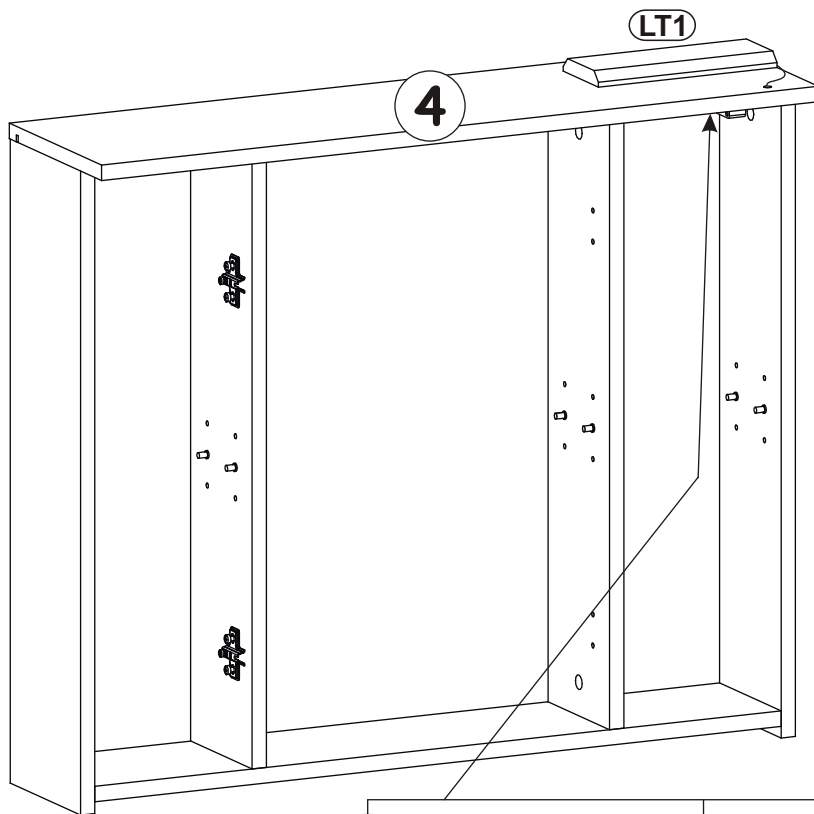
X=y  $\uparrow$  90°

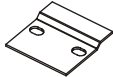
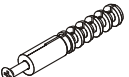
G16		UP13	
x10		x10	UPØ3x16
S1			
x12			



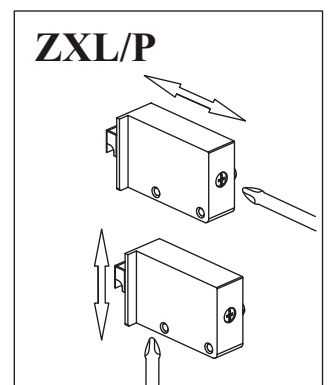
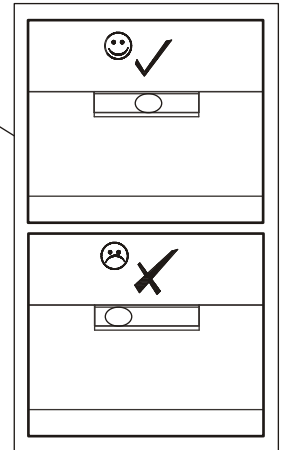
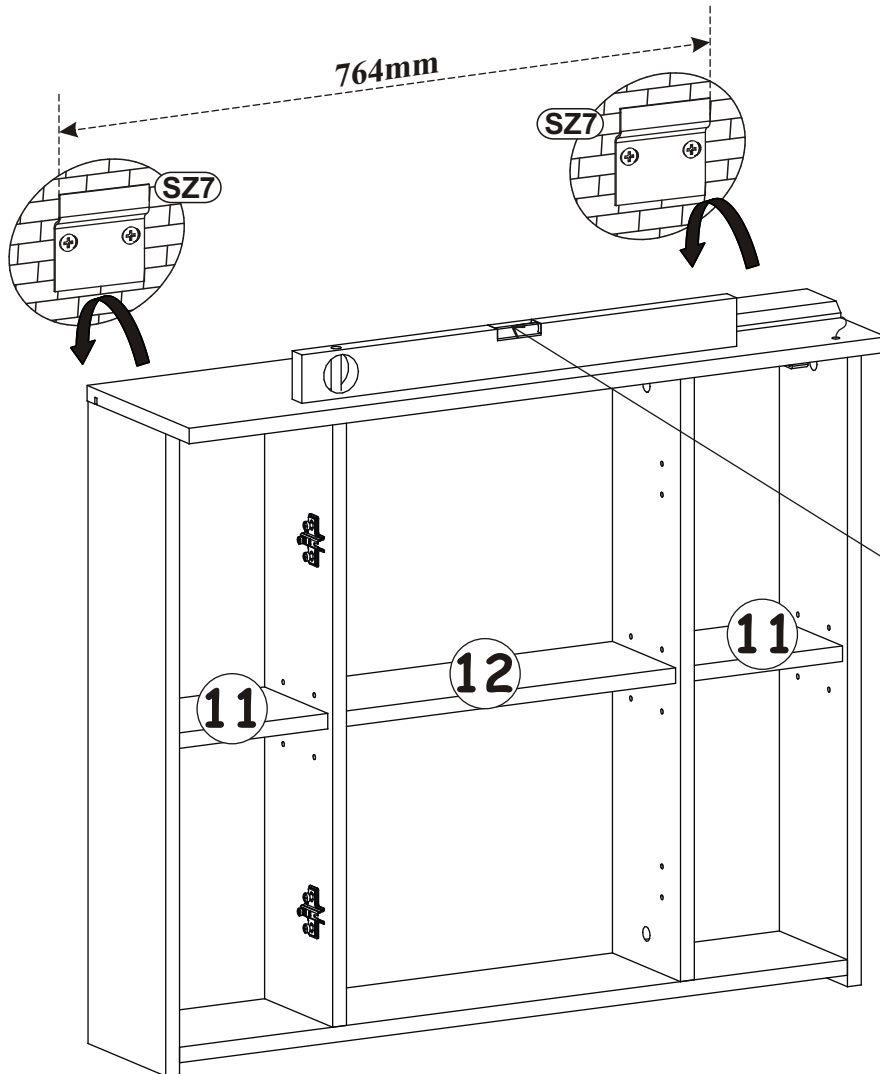
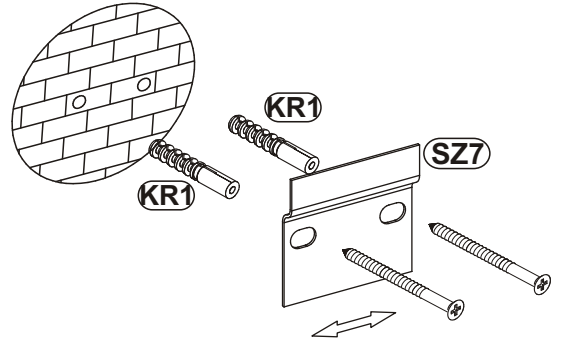
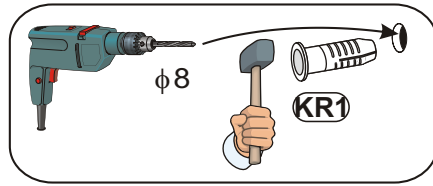
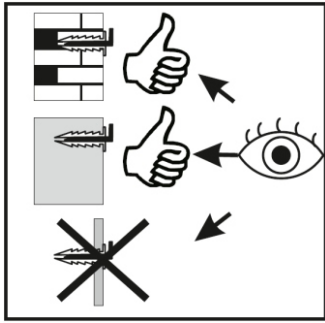
11

LT1	
x1	

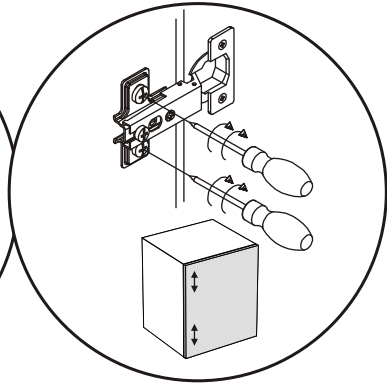
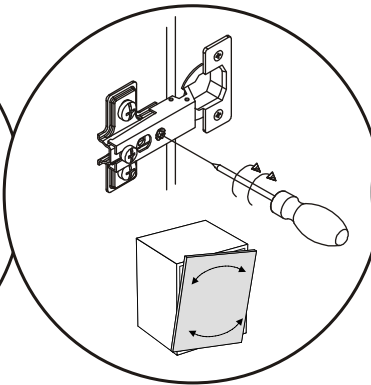
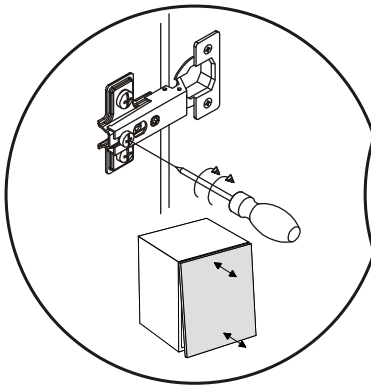
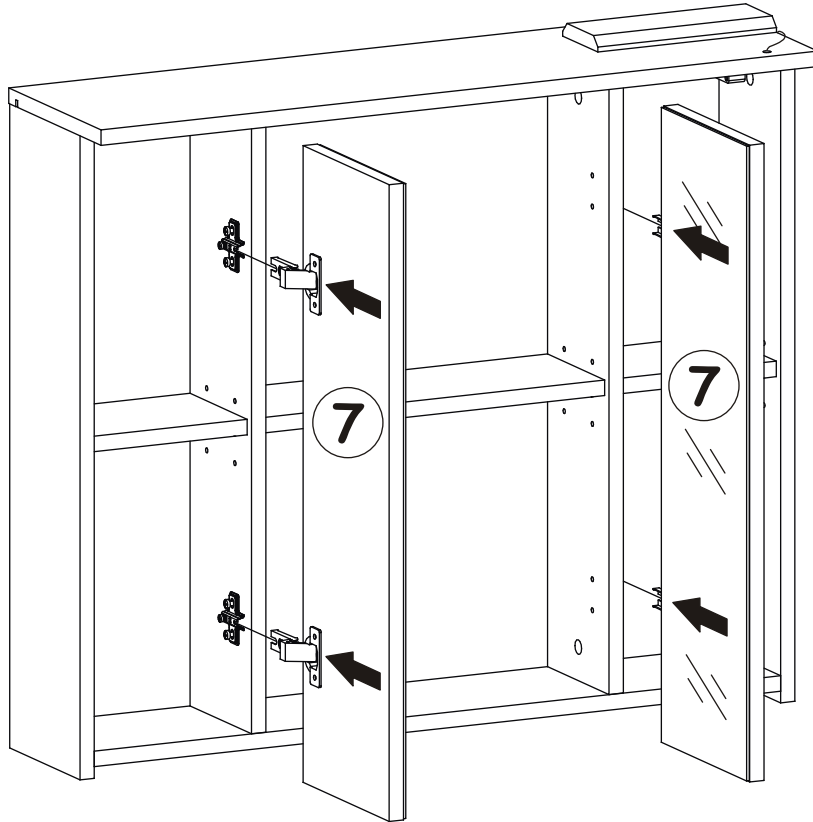


SZ7		KR1	
x2		x4	Ø8

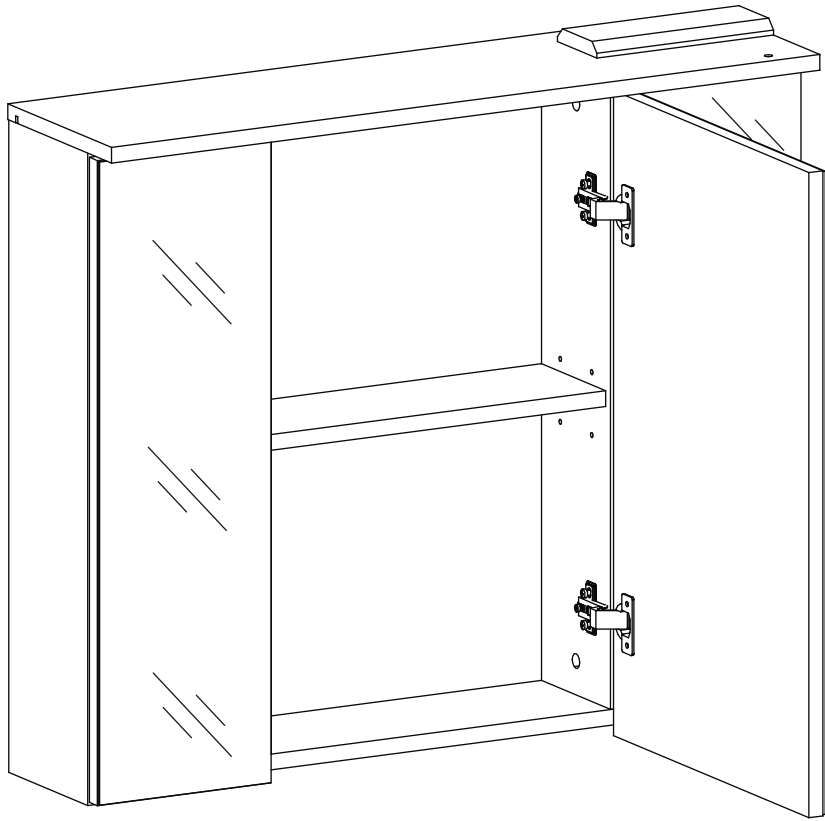
# 12



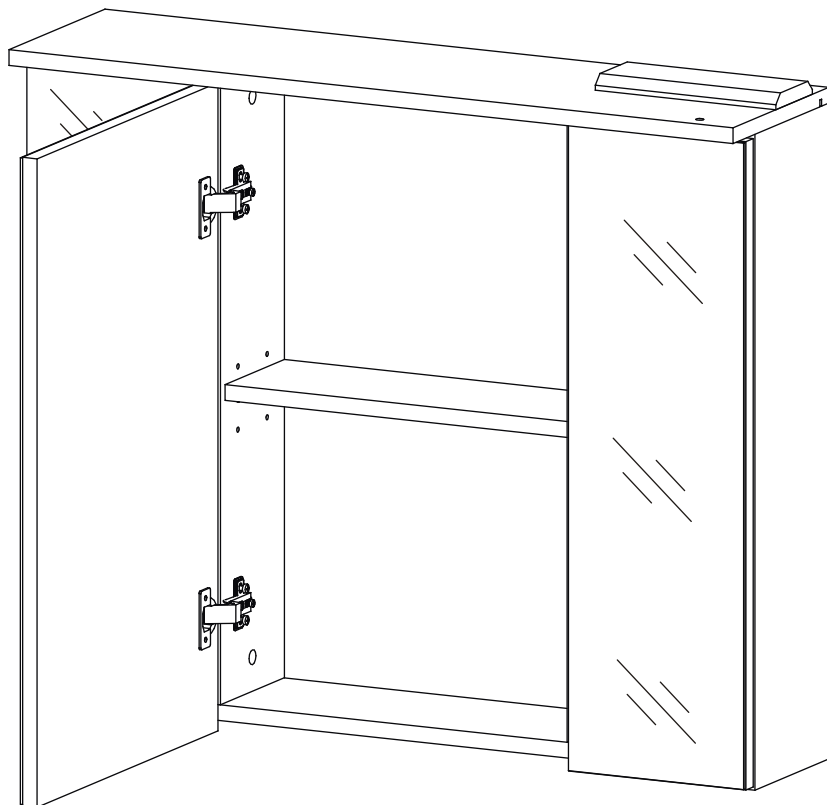
13

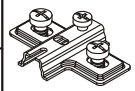



**14-15**

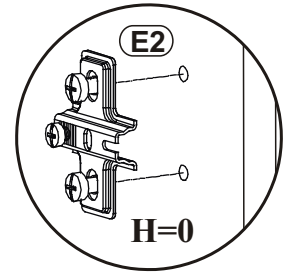
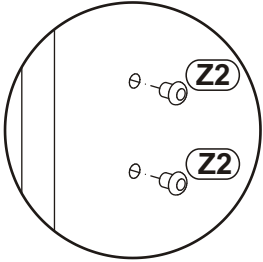
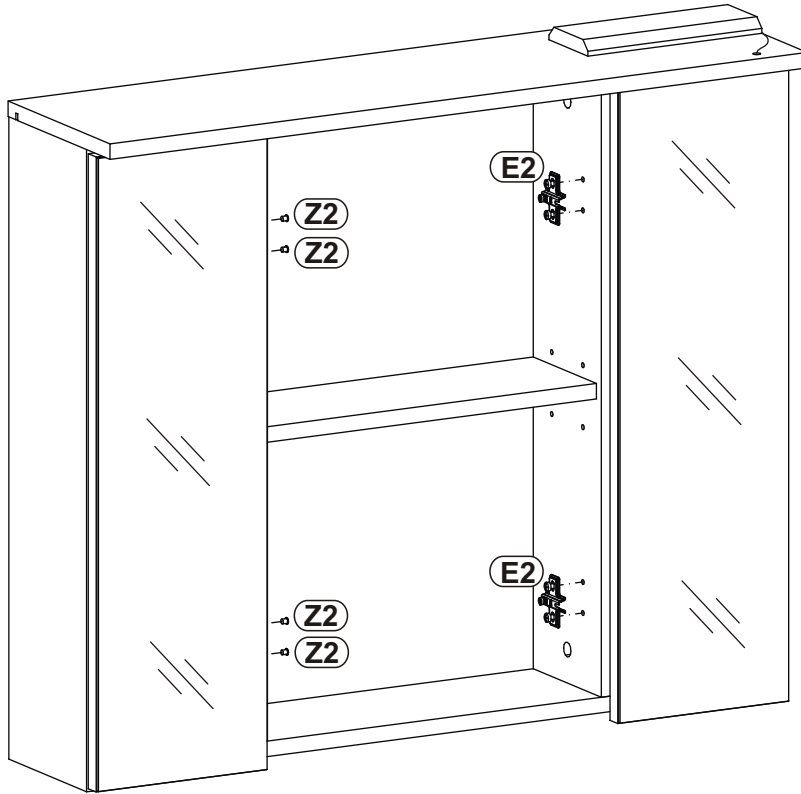
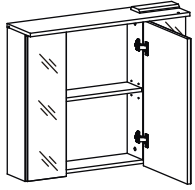


**16-17**

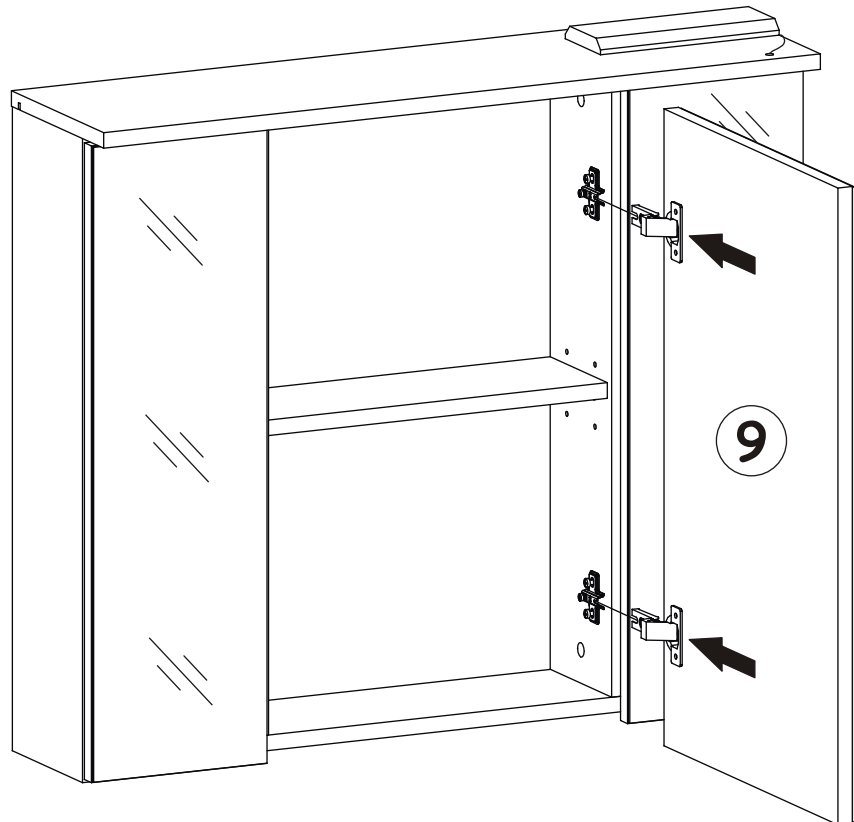
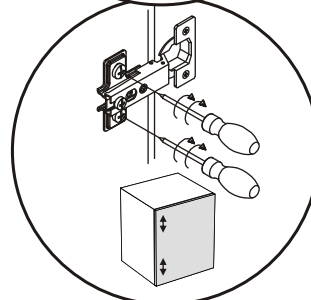
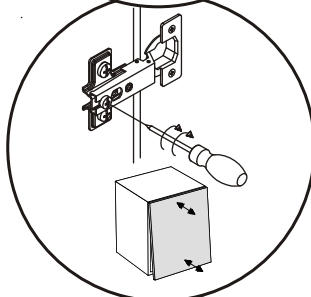
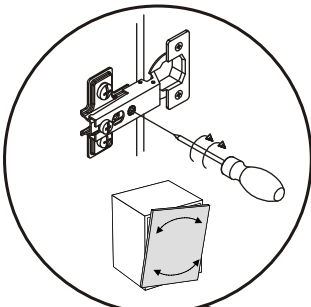


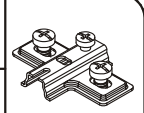

E2		Z2	
x2	H=0	x4	Ø5

# 14

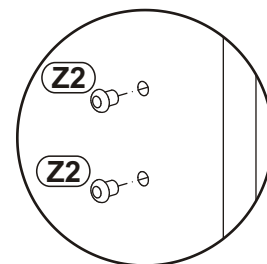
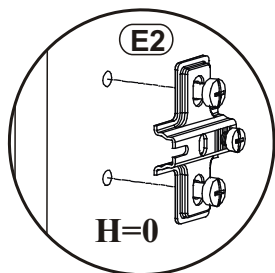
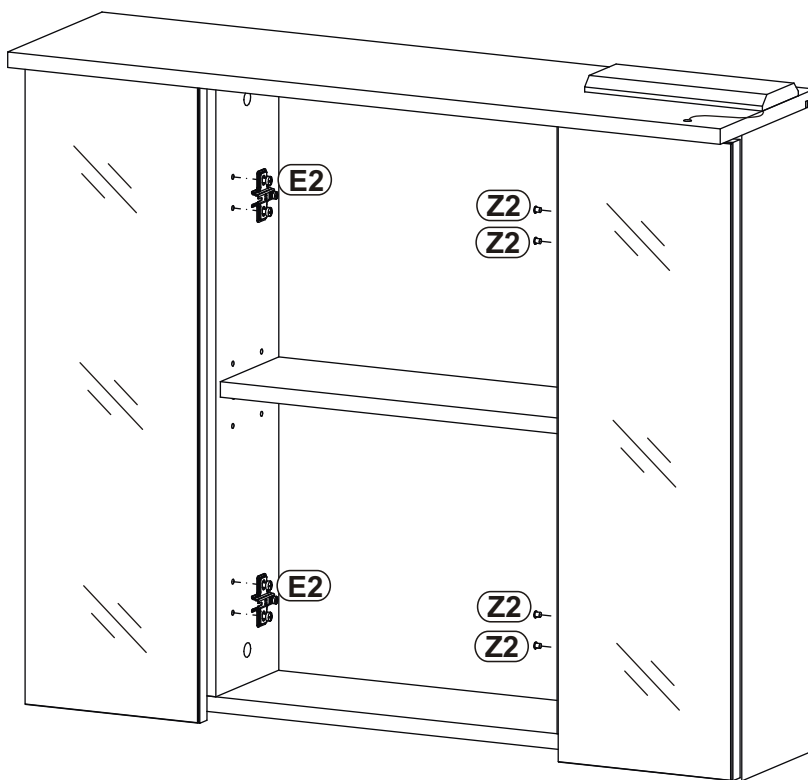
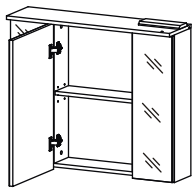


# 15



E2		Z2	
x2	H=0	x4	Ø5

# 16



# 17

