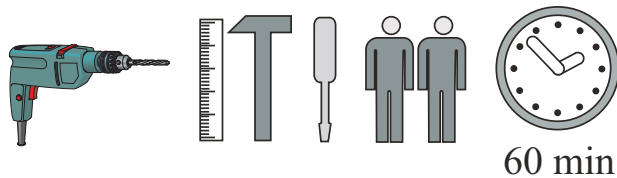
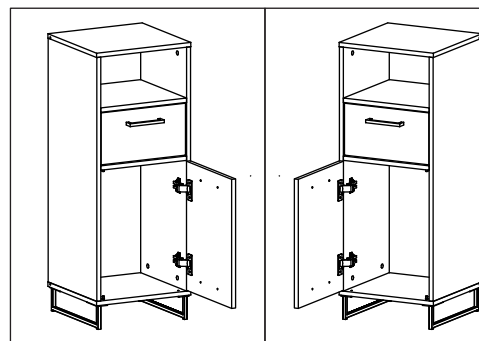
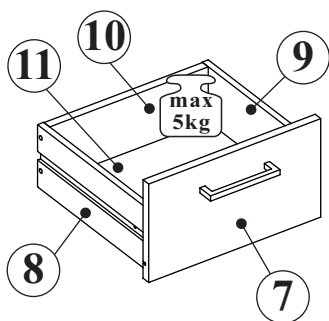
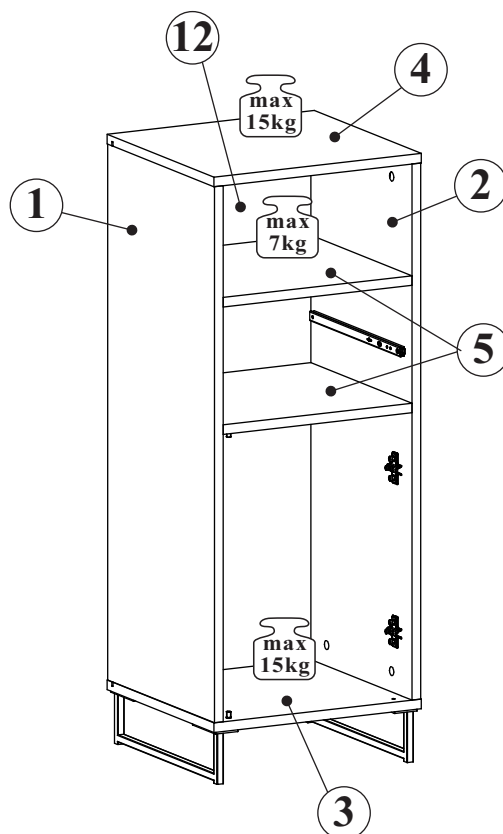
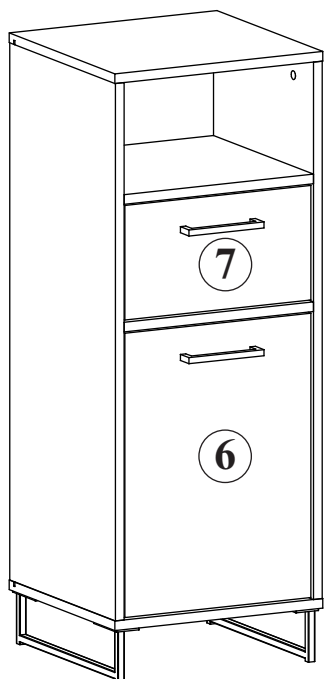
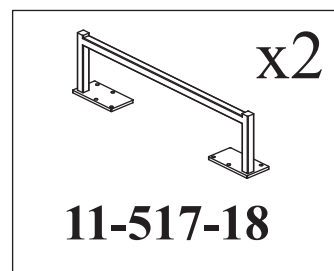

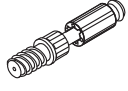



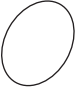
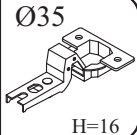
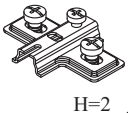








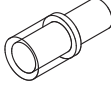

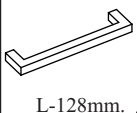

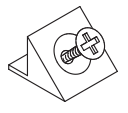
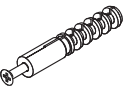
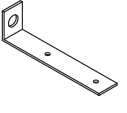



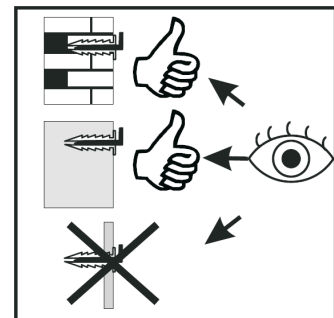
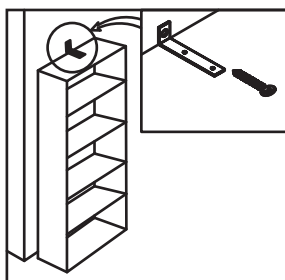
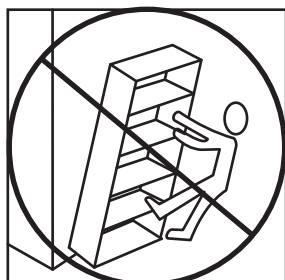
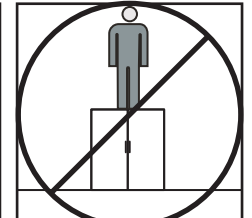
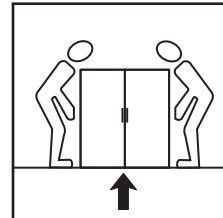
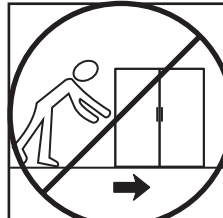
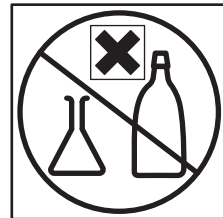
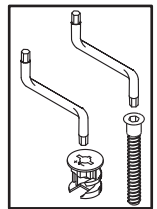
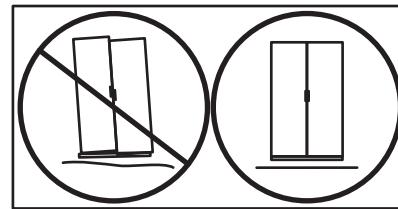
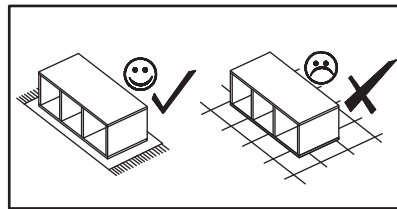
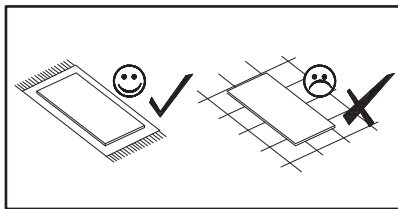
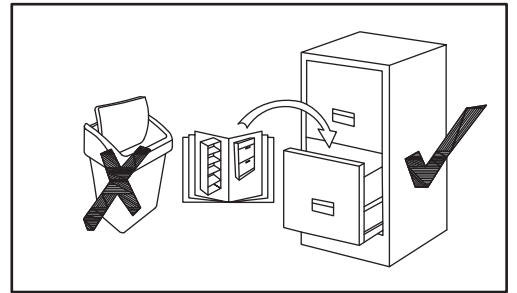
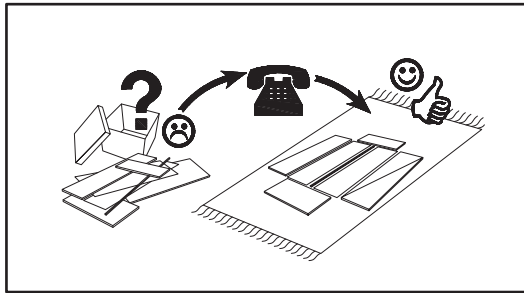
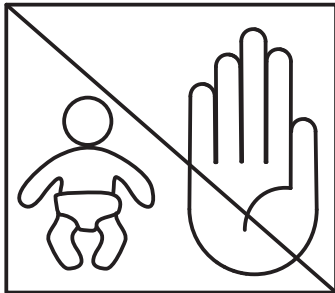
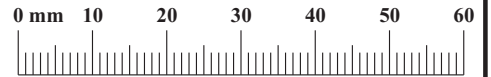
ROOF 36-969-__-6



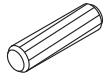
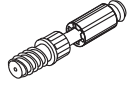
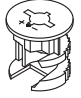
NO	Dim.			Col.-No	Qty
1	892	368	16	1	1
2	892	368	16	1	1
3	382	368	16	1	1
4	382	368	16	1	1
5	348	348	16	1	2
6	342	472	16	1	1
7	342	190	16	1	1
8	300	120	12	1	1
9	300	120	12	1	1
10	315	106	16	1	1
11	305	325	3	1	1
12	904	360	3	1	1


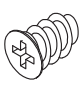


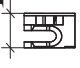
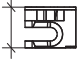
A1 x18  ø8x36	B4 x18 	B5 x16  ø15x12	G5 x16 	B7 x2  Ø15x10,3	G8 x2  Ø20
E25 x2  Ø35 H=16	E4 x2  H=2	D10 x6  USØ3,5x13	Z2 x8  Ø5	B11 x4  Ø7x50	G4 x4 
H6 x1  L-310mm.	D27 x4  ESØ6x8	D18 x2  M4x9	UP13 x3  UPØ3x16	G20 x3 	UP5 x16  UPØ4x16
U17 x2  L-128mm.	UP6 x4  UPØ4x30	S1 x7 	KR1 x1 	L1 x1 	G2 x1 

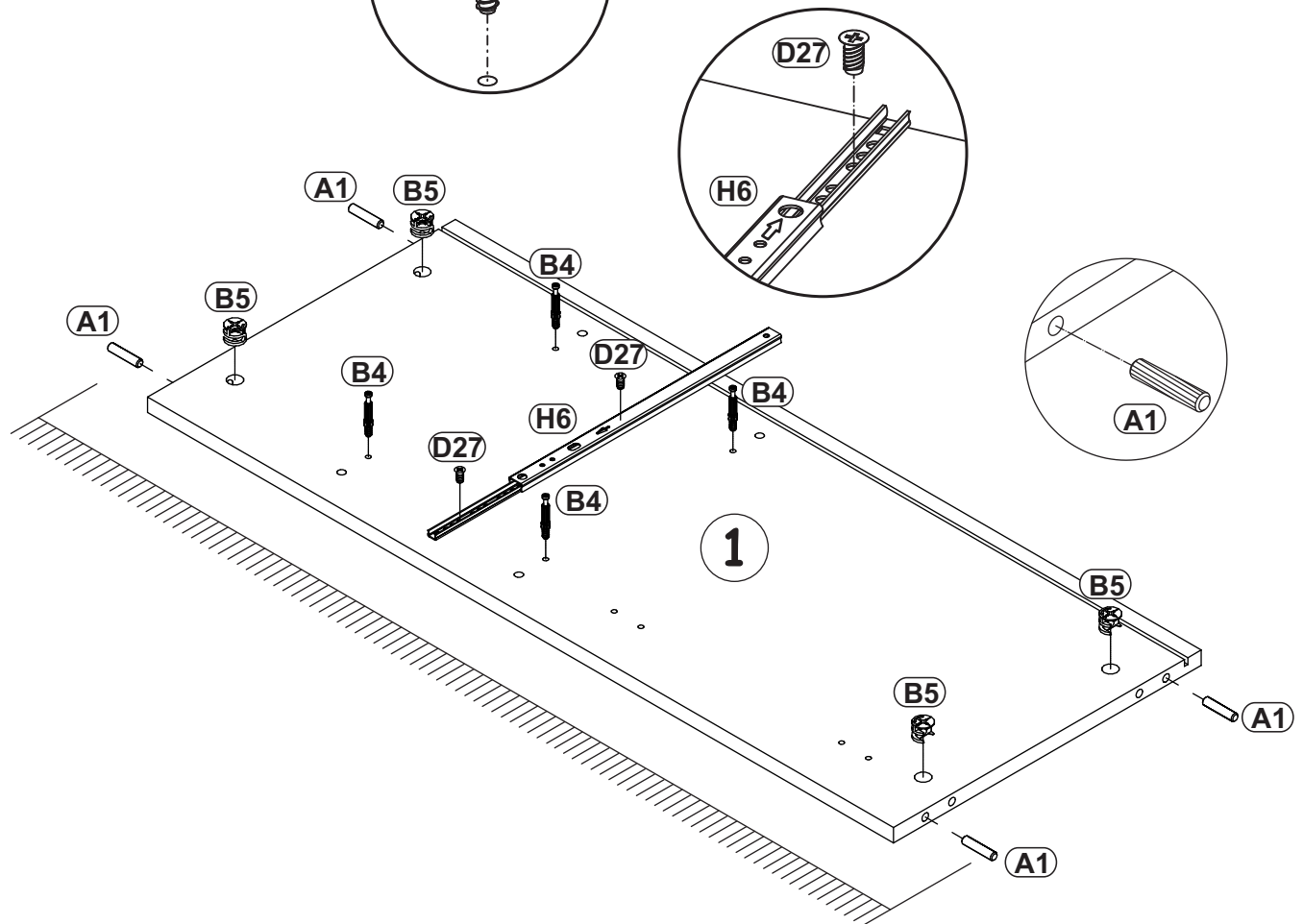
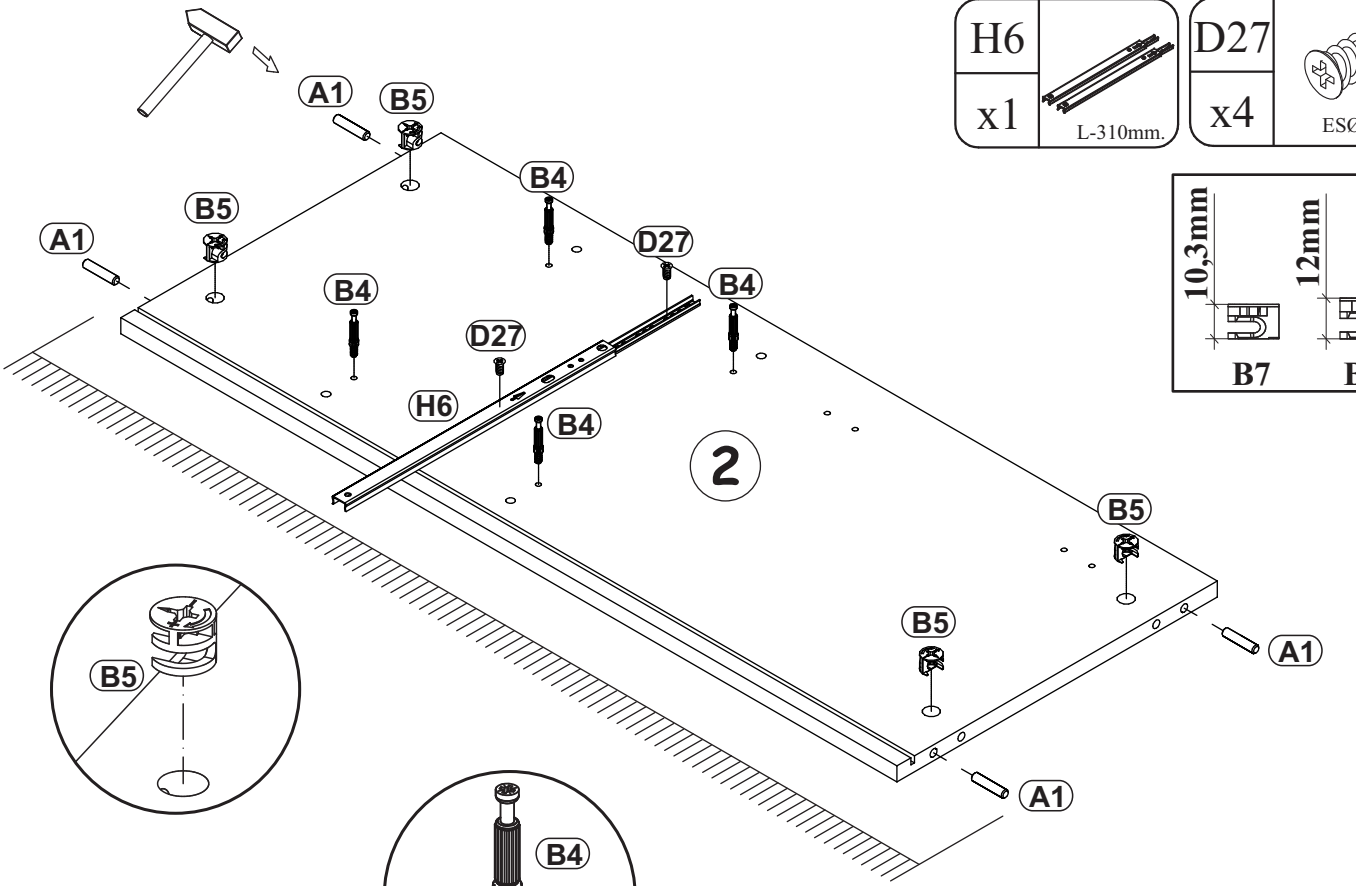


1

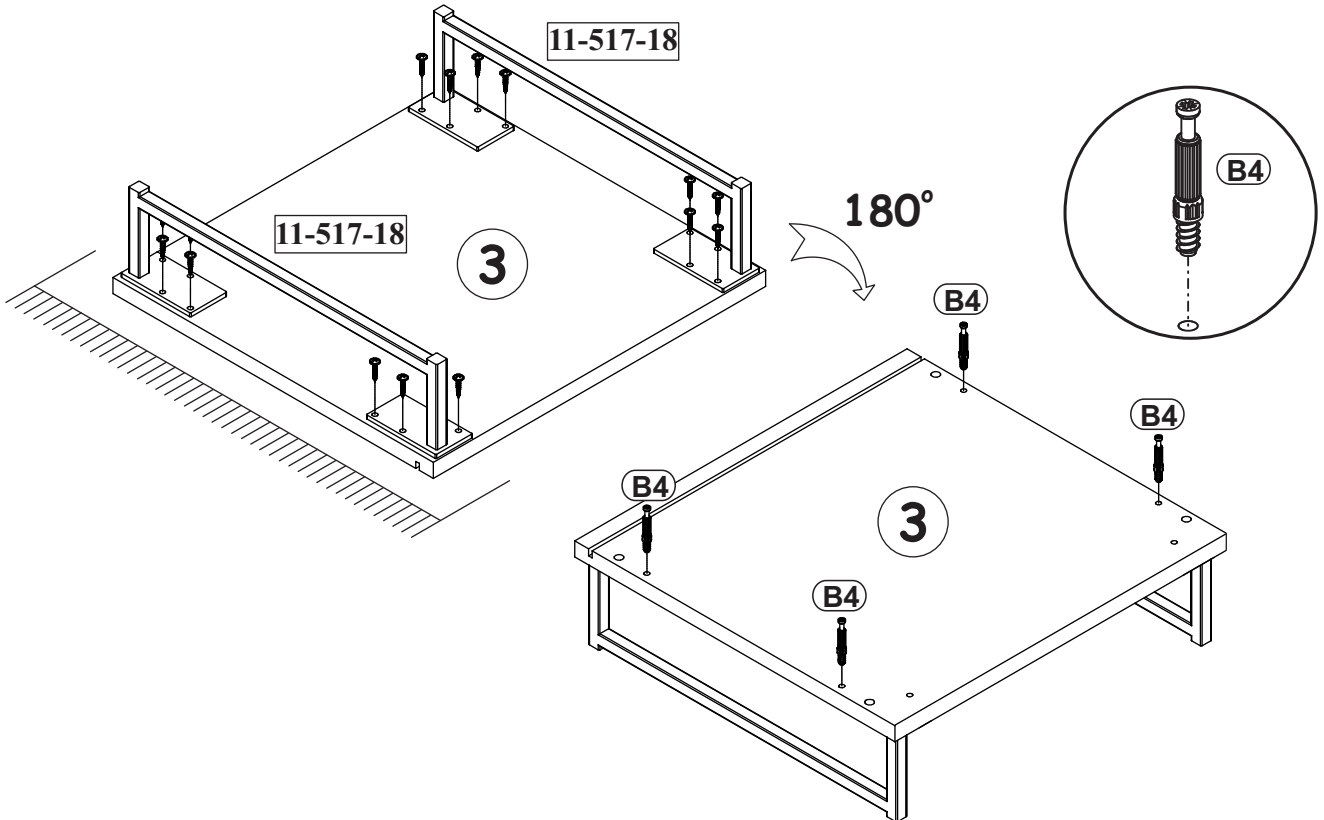
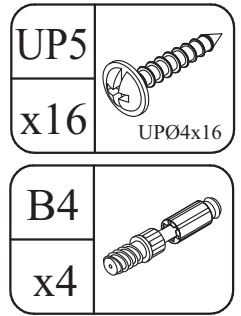
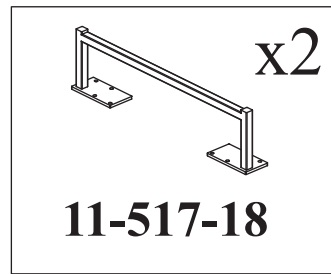
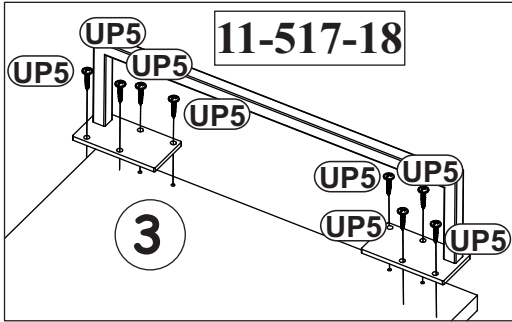
A1		B4		B5	
x8	ø8x36	x8		x8	ø15x12

H6		D27	
x1	L-310mm.	x4	ESØ6x8

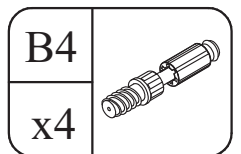
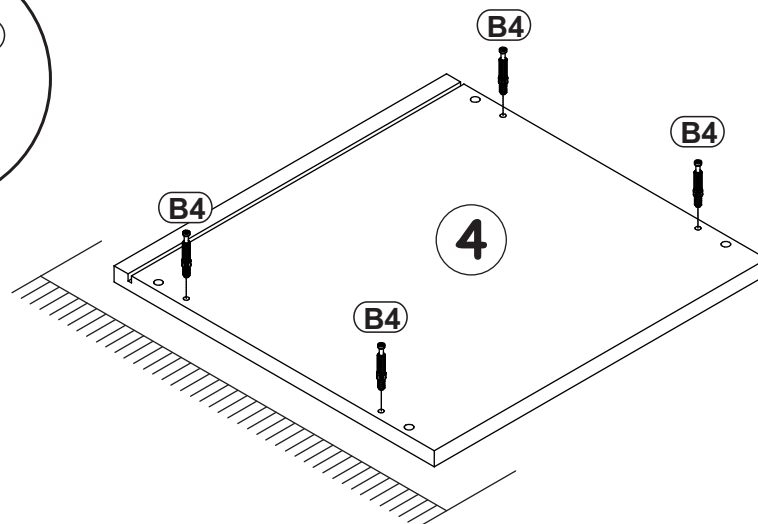
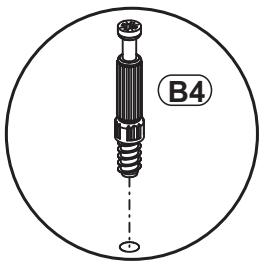
10,3mm		12mm	
	B7		B5



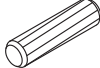

2





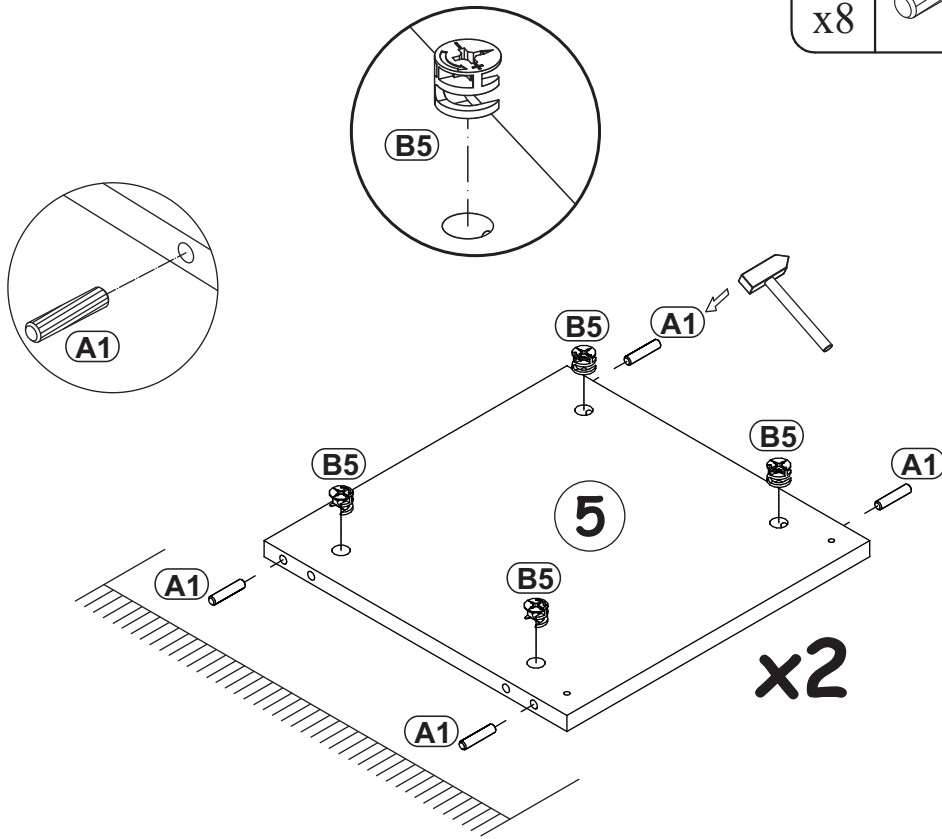
3



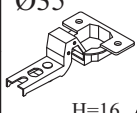

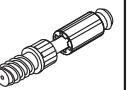
4

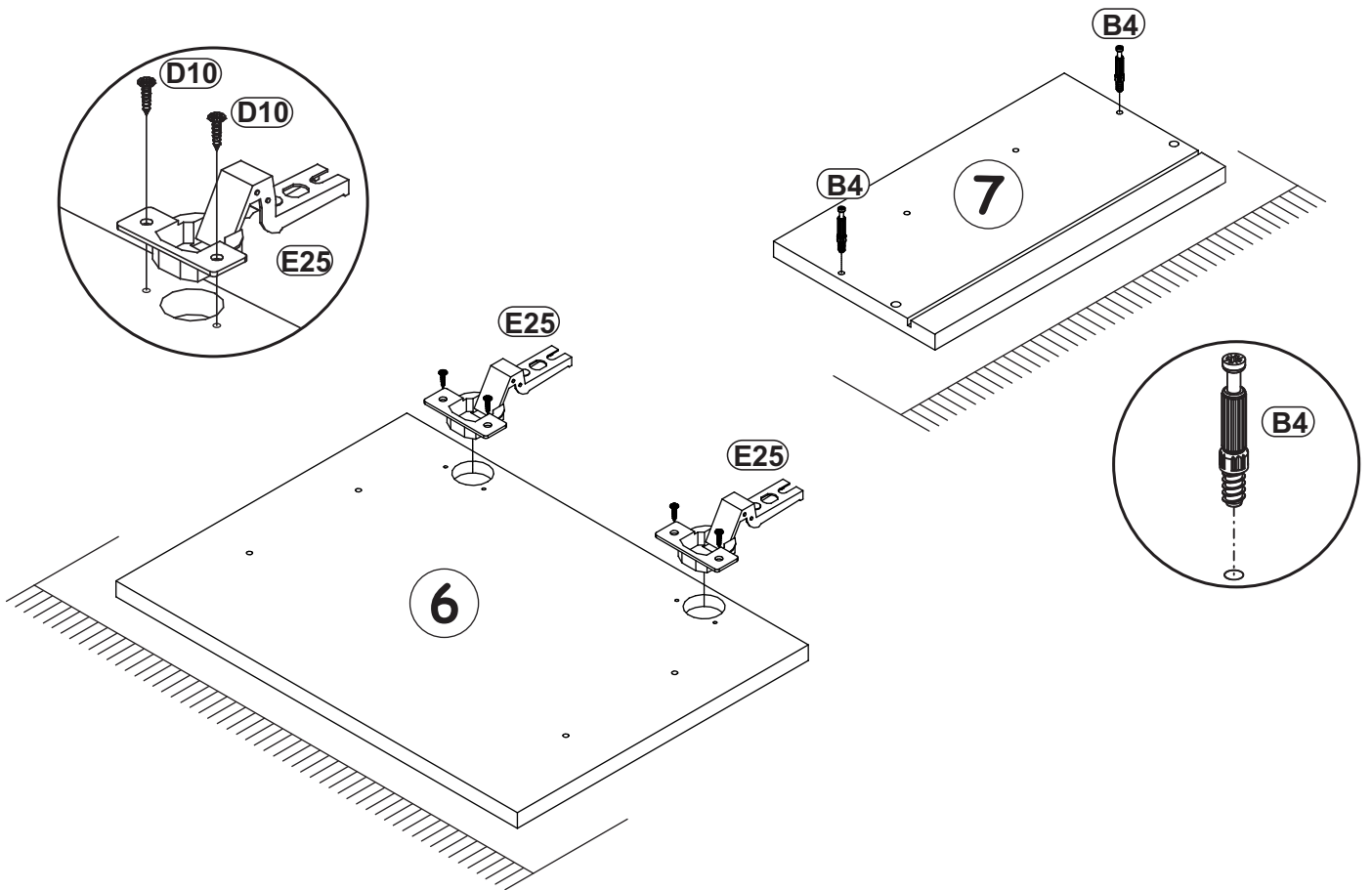
A1		B5	
x8	ø8x36	x8	ø15x12

10,3mm		12mm	
	B7		B5

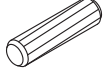





5

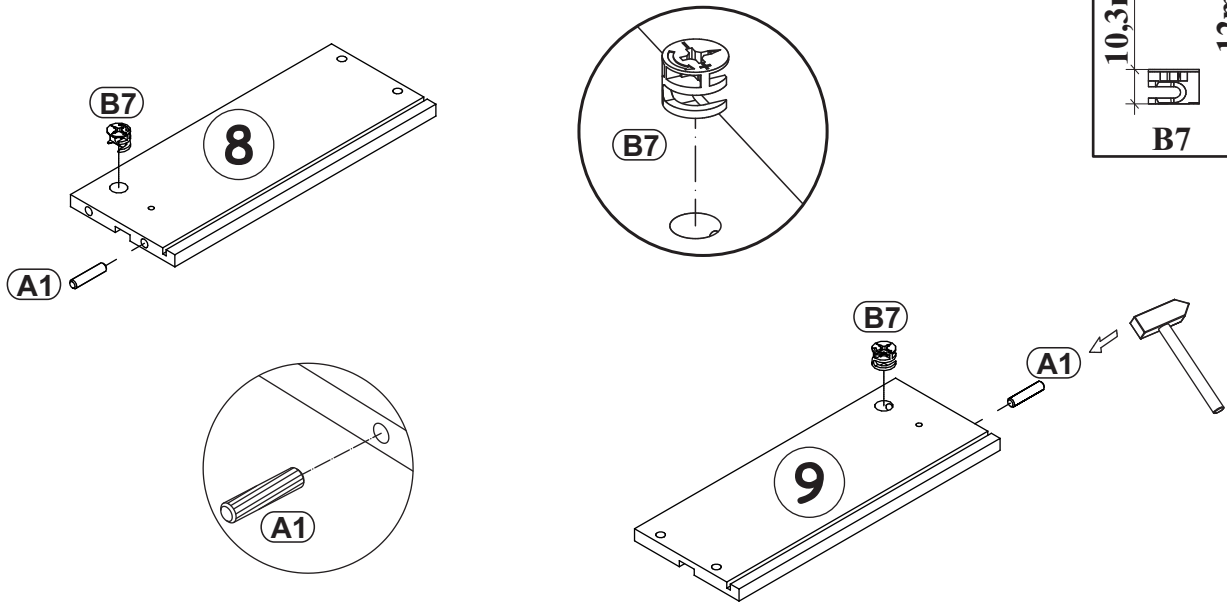
E25		D10		B4	
x2	Ø35 H=16	x4	USØ3,5x13	x2	





6

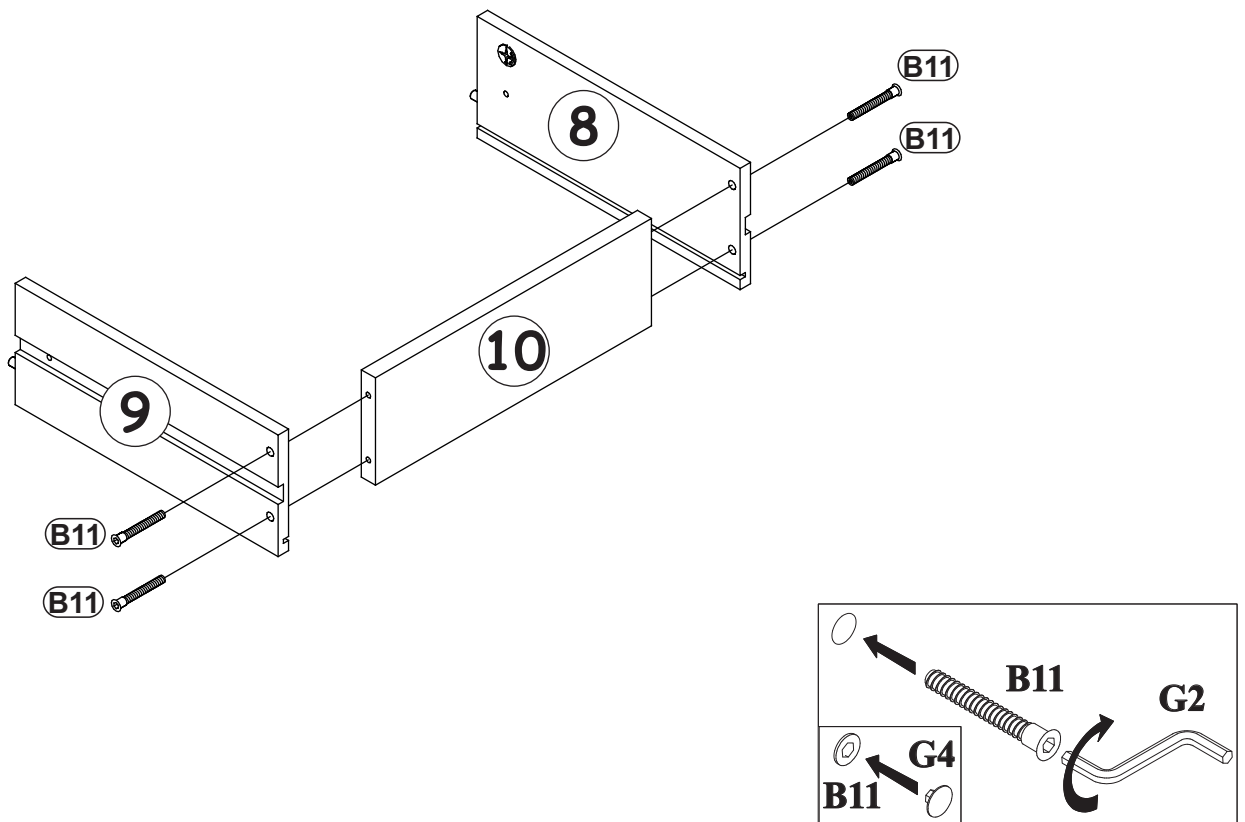
A1		B7	
x2	ø8x36	x2	Ø15x10,3

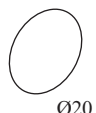
10,3mm		12mm	
	B7		B5



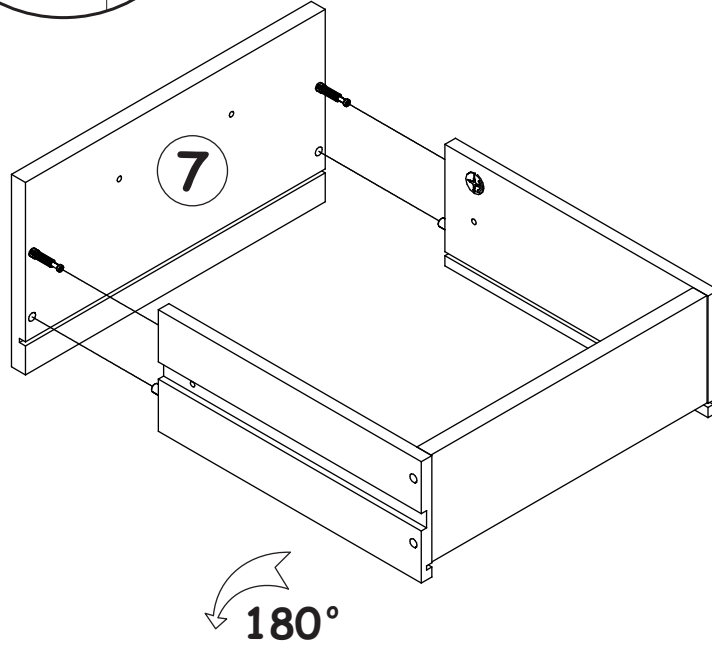
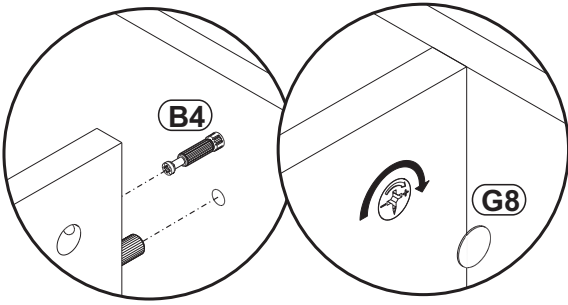
7

B11		G4	
x4	Ø7x50	x4	

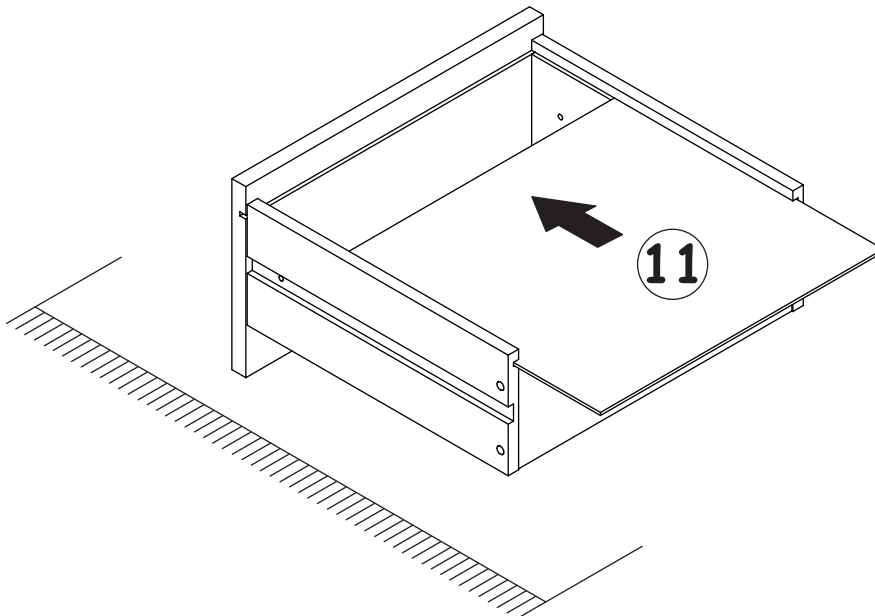


G8	
x2	Ø20

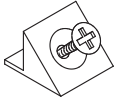
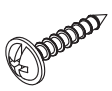
8

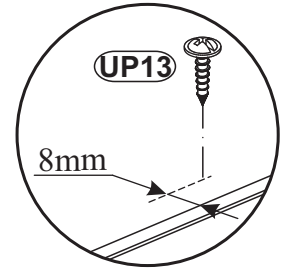
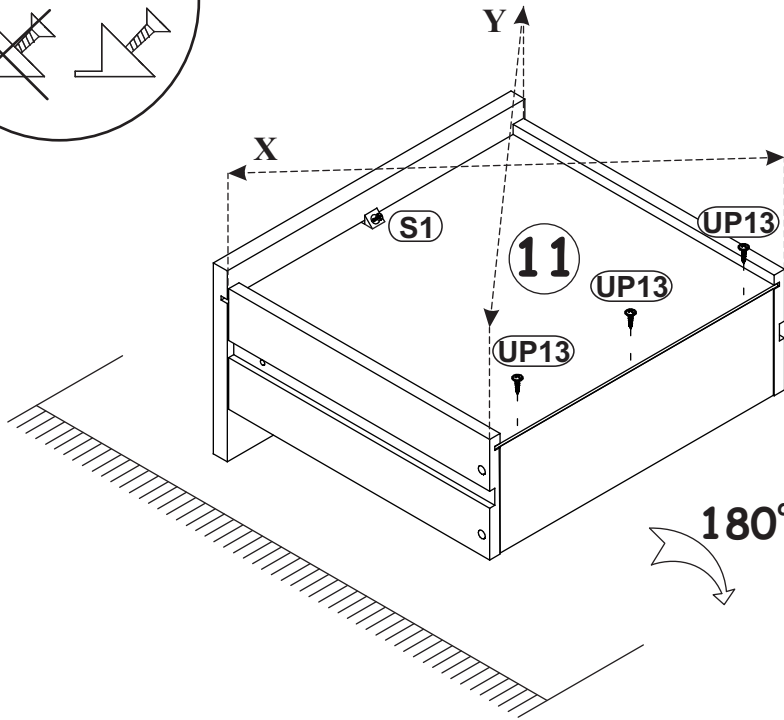
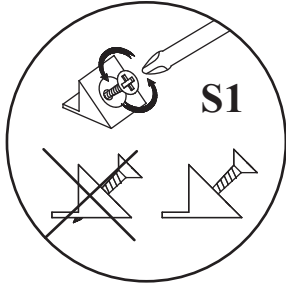


9


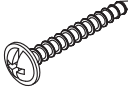


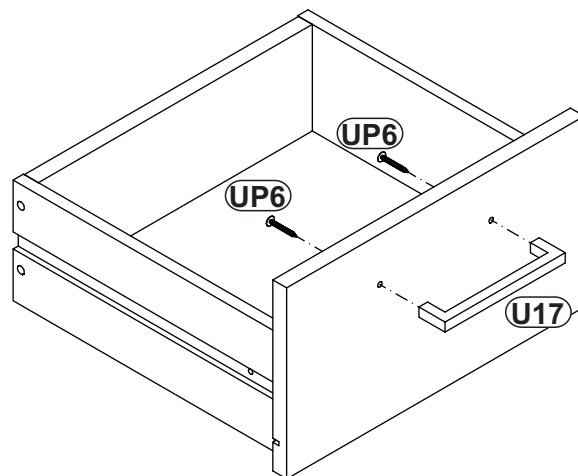
10


S1		UP13	
x1		x3	UPØ3x16



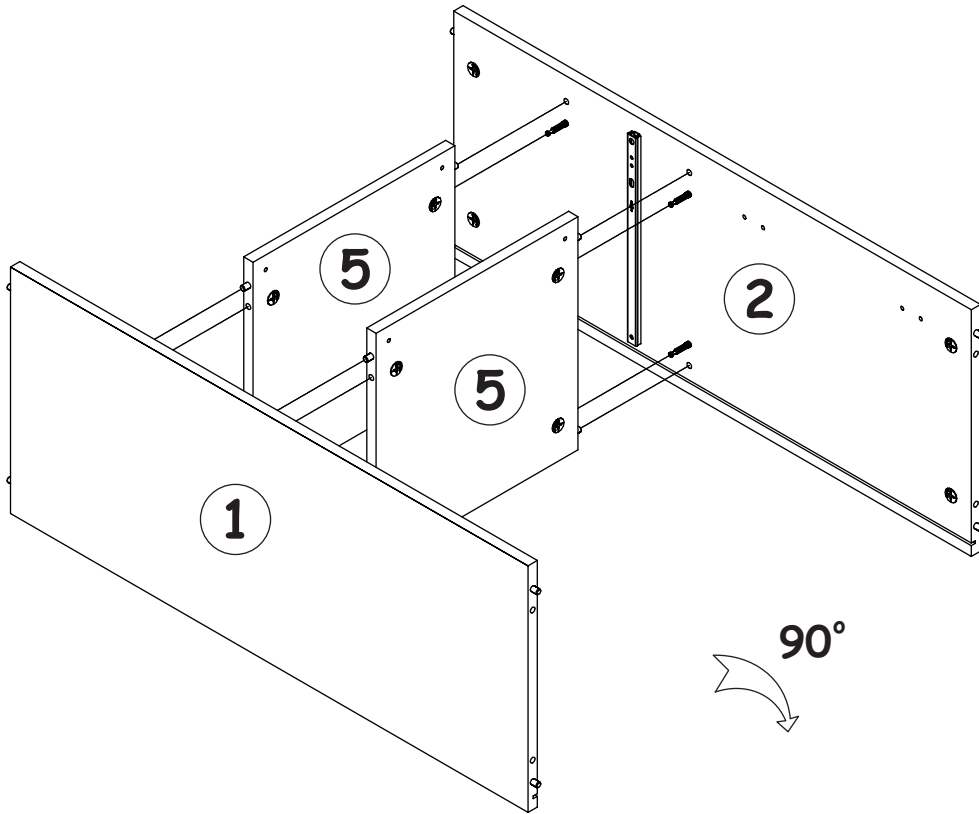
11

U17		UP6	
x1	L-138mm.	x2	UPØ4x30

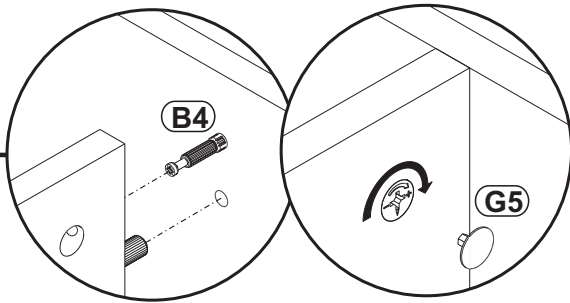



G5	
x8	

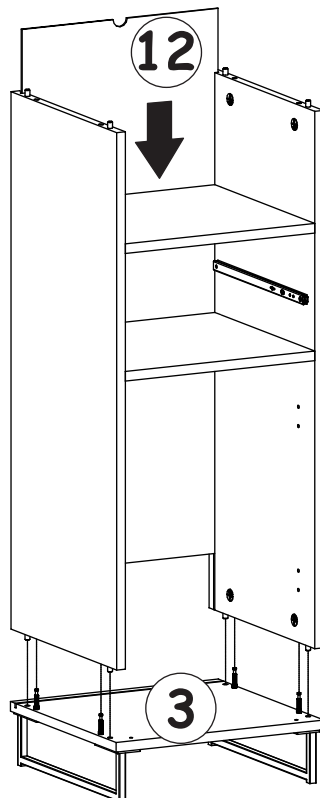
12




13

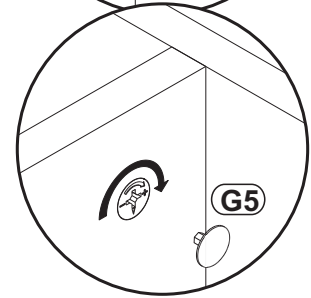
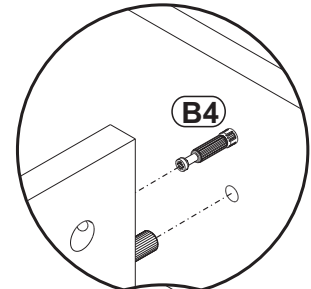
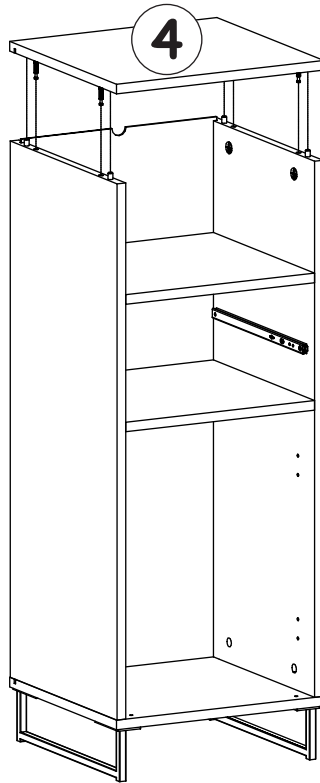


G5	
x4	



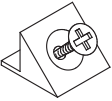
14

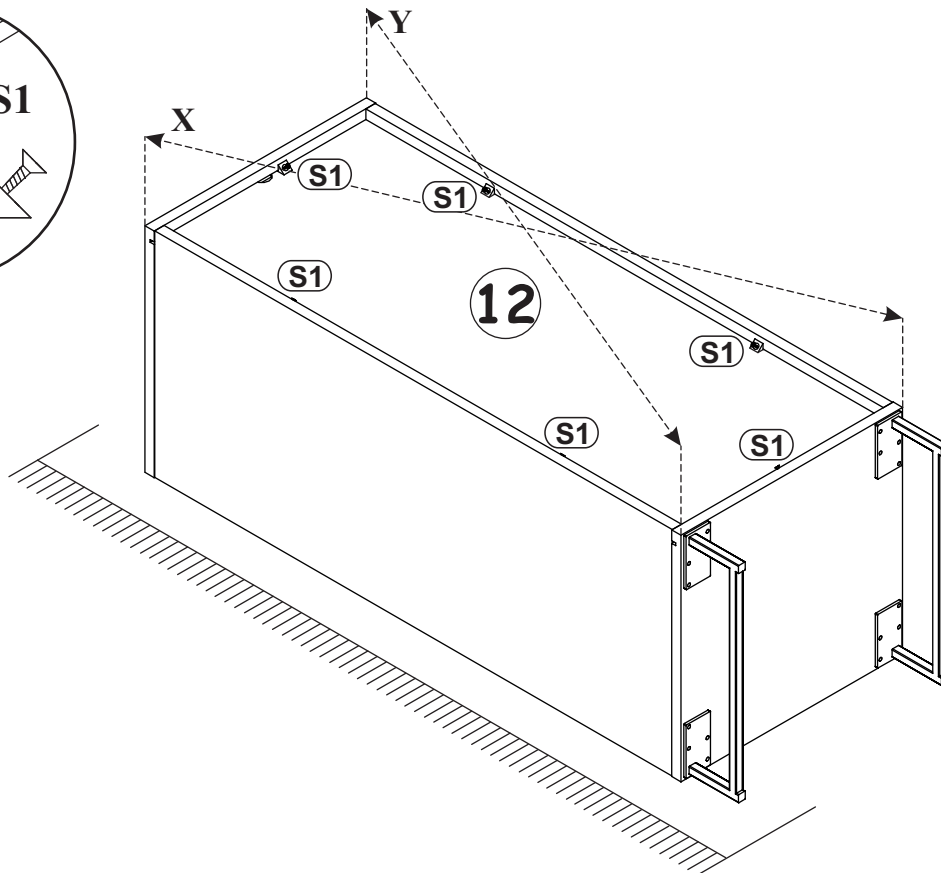
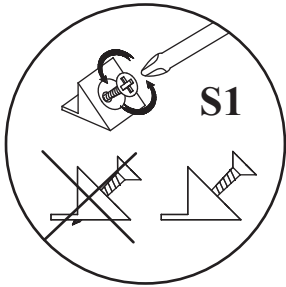
G5	
x4	



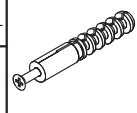
15

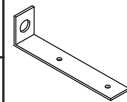
 $X=Y$ 90°

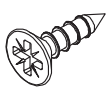
S1	
x6	

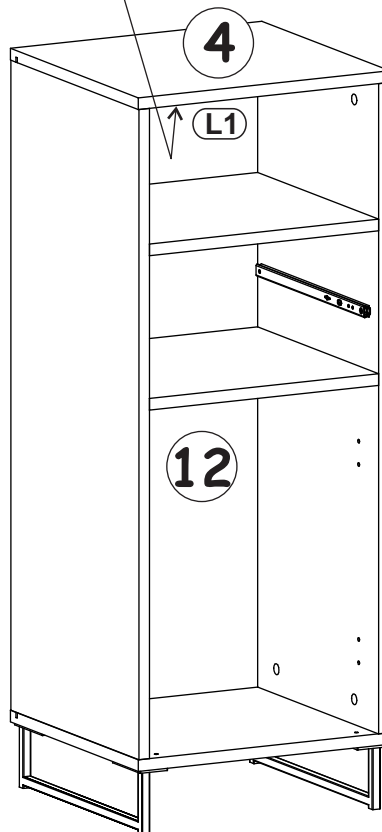
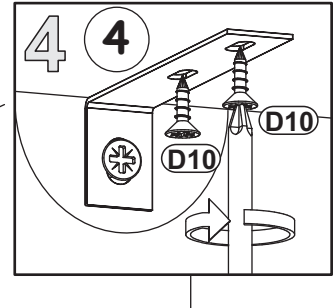
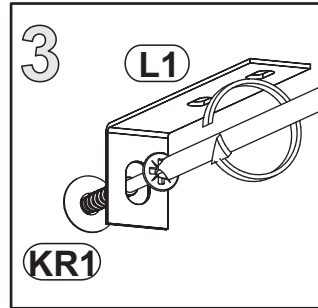
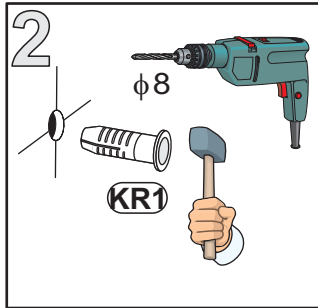
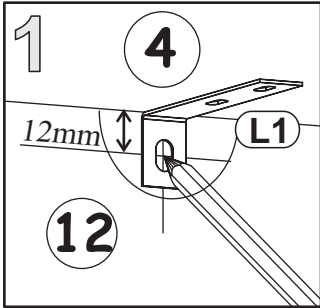
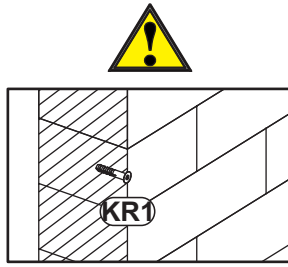
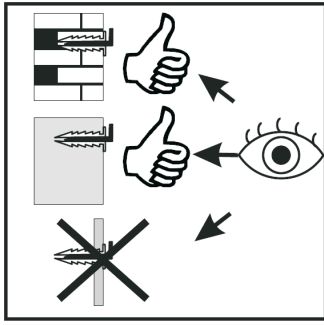


16

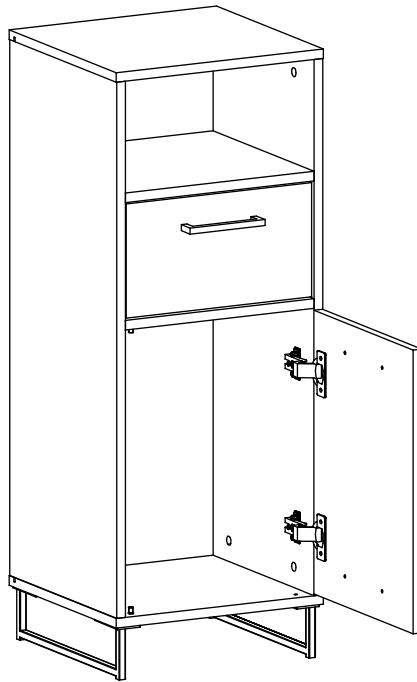
KR1	
x1	

L1	
x1	

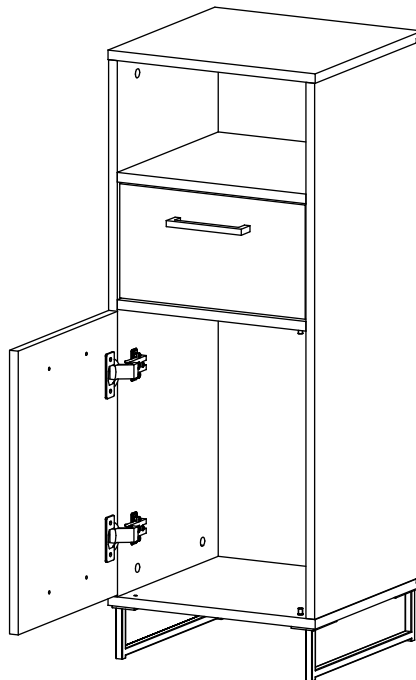
D10	
x2	US03,5x13



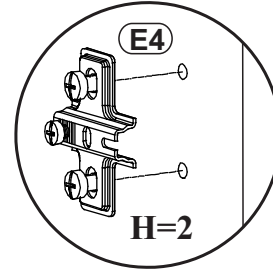
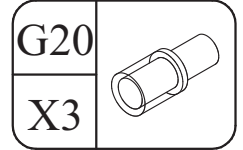
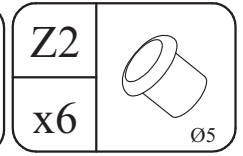
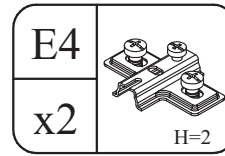
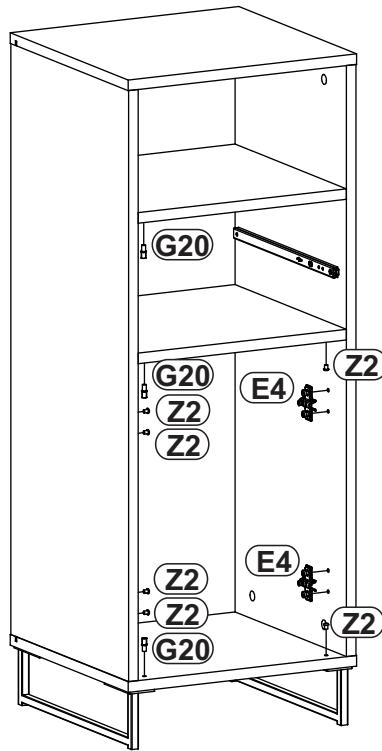
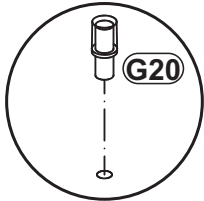
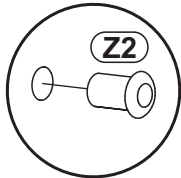
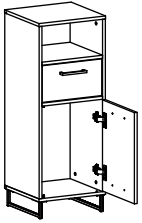
17-20



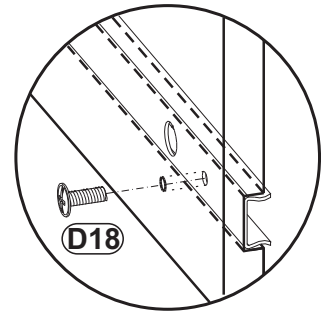
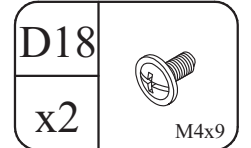
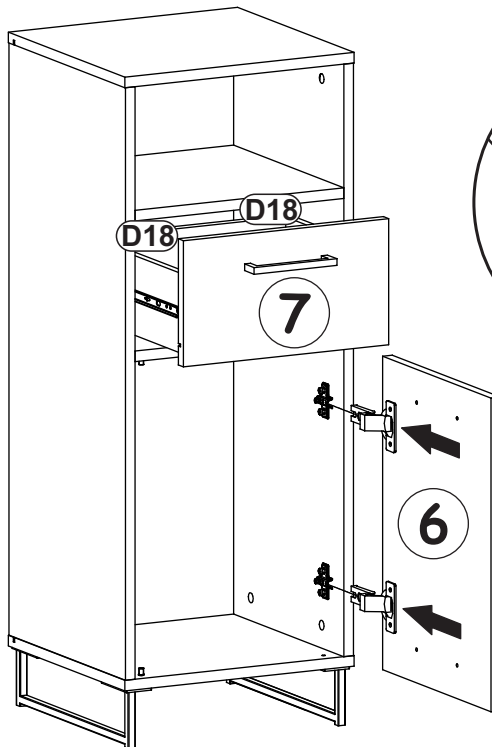
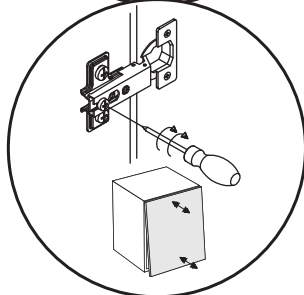
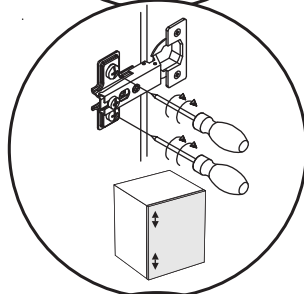
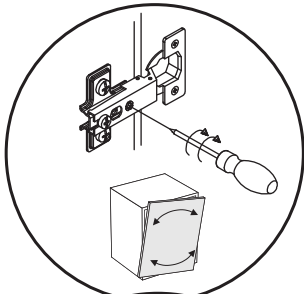
21-24



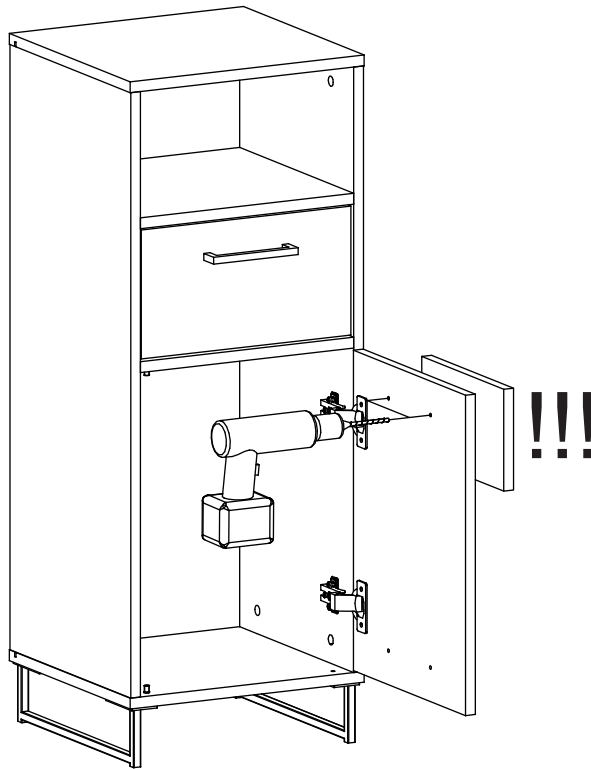
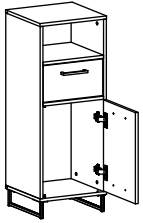
17



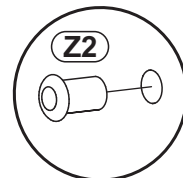
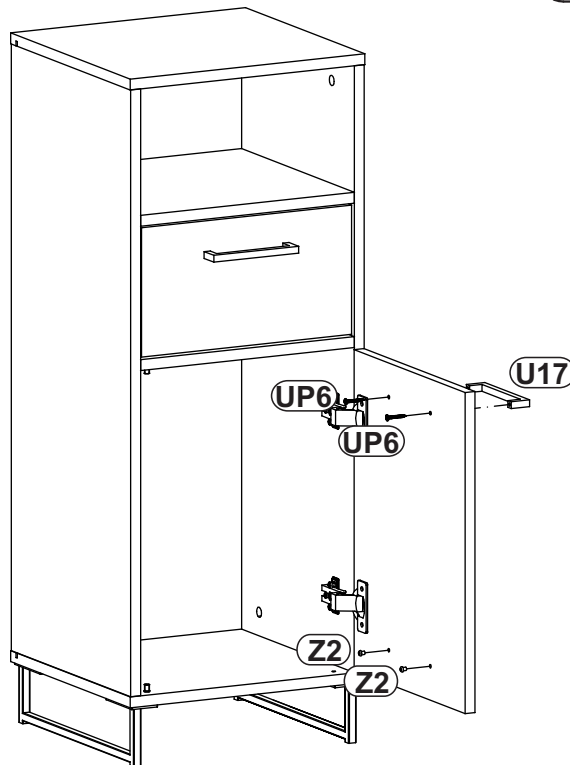
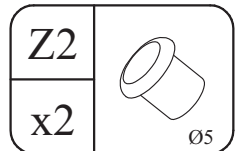
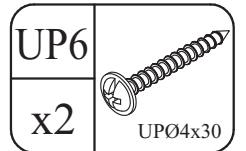
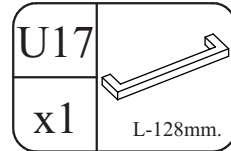
18



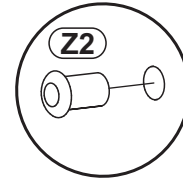
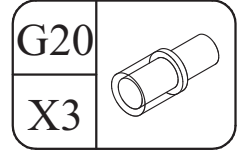
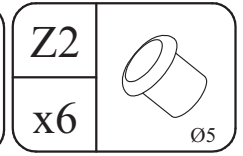
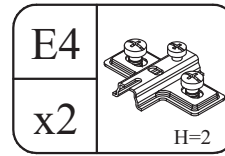
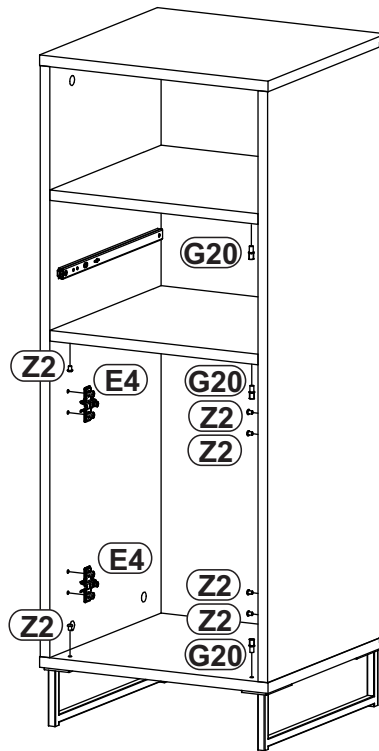
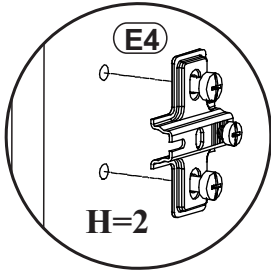
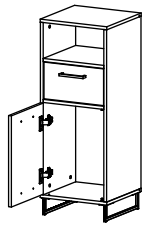
19



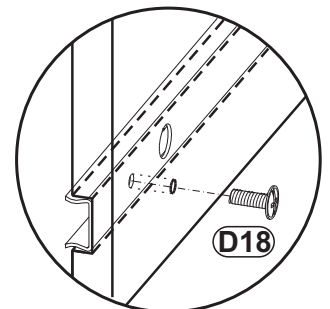
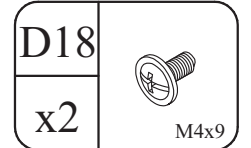
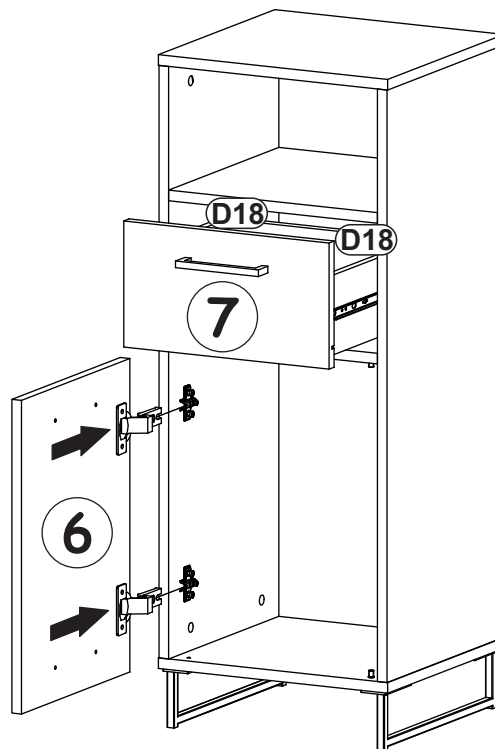
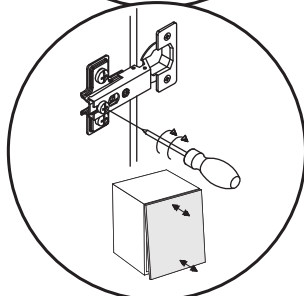
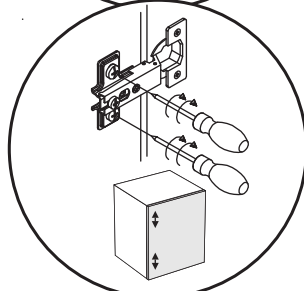
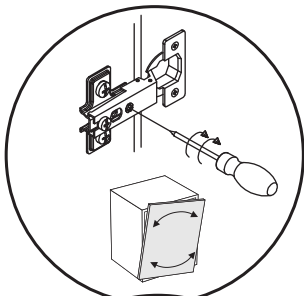
20



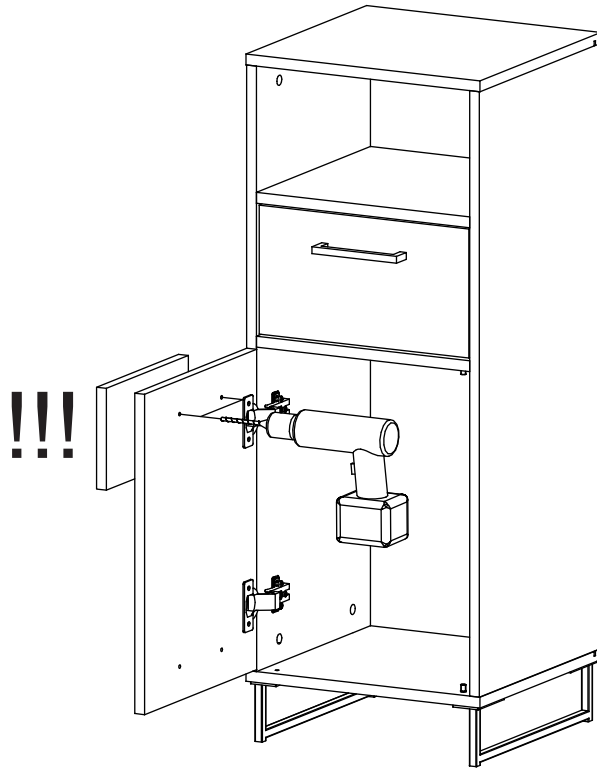
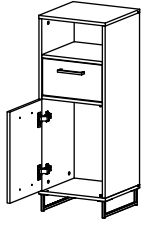
21



22



23



24

U17		UP6	
x1	L-128mm.	x2	UPØ4x30
		Z2	
		x2	Ø5

