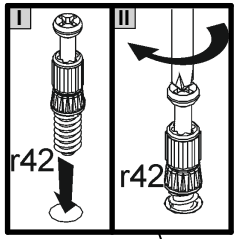
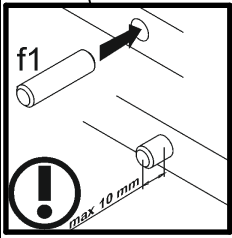
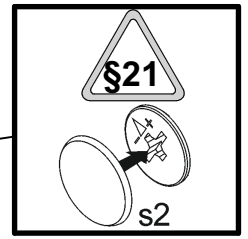
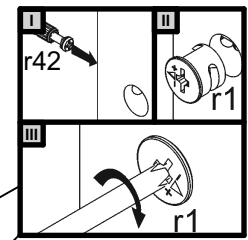
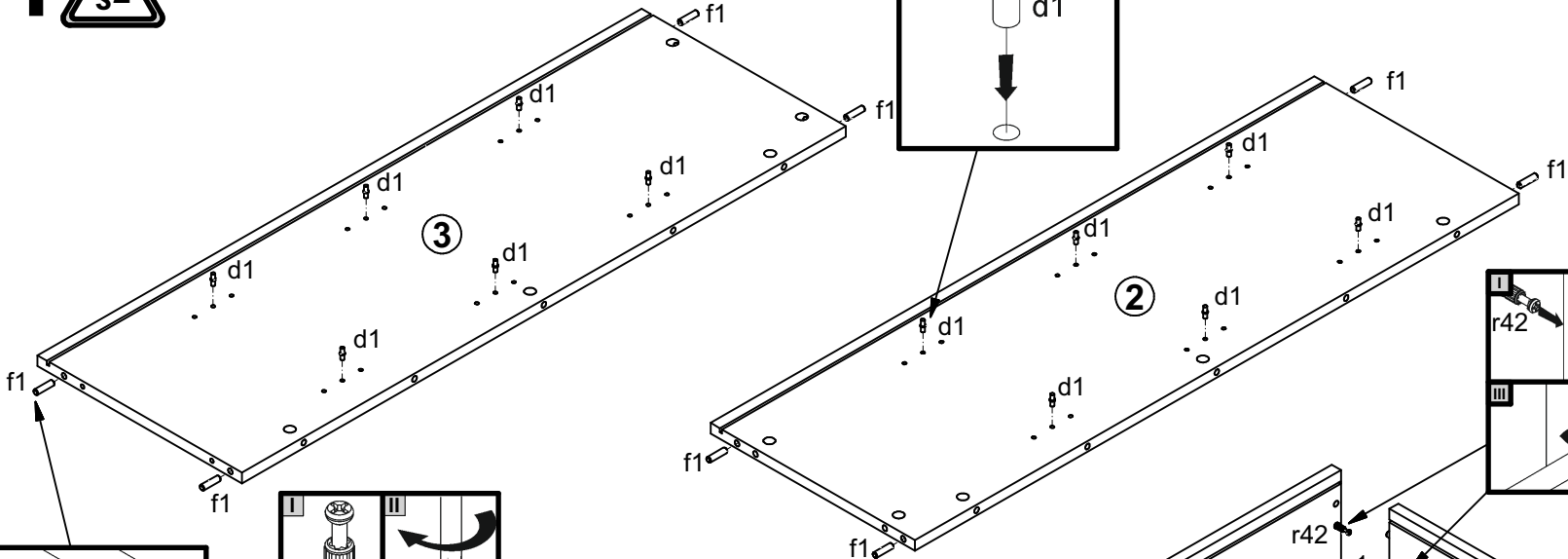
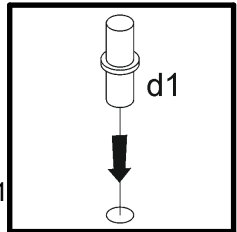


| A  | B         | C (mm) |     | D   |
|----|-----------|--------|-----|-----|
| 1  | M130-0004 | 396    | 953 | 1/1 |
| 2  | M130-103  | 1046   | 354 | 1/1 |
| 3  | M130-104  | 1046   | 354 | 1/1 |
| 4  | M130-205  | 522    | 354 | 1/1 |
| 5  | M130-206  | 522    | 354 | 1/1 |
| 6  | M130-304  | 488    | 334 | 1/1 |
| 7  | M130-582  | 959    | 60  | 1/1 |
| 8  | M130-583  | 523    | 60  | 1/1 |
| 9  | M130-953  | 1055   | 248 | 1/1 |
| 10 | Lh-1025   | 1025   | 14  | 1/1 |

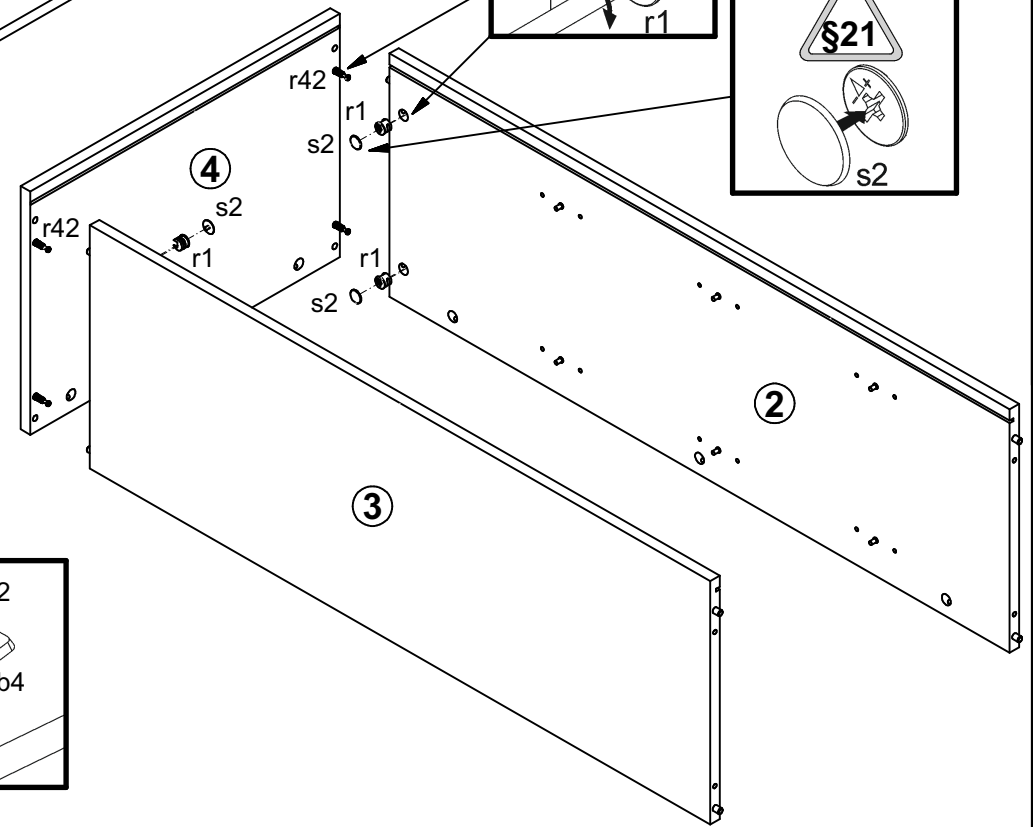
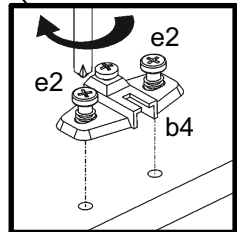
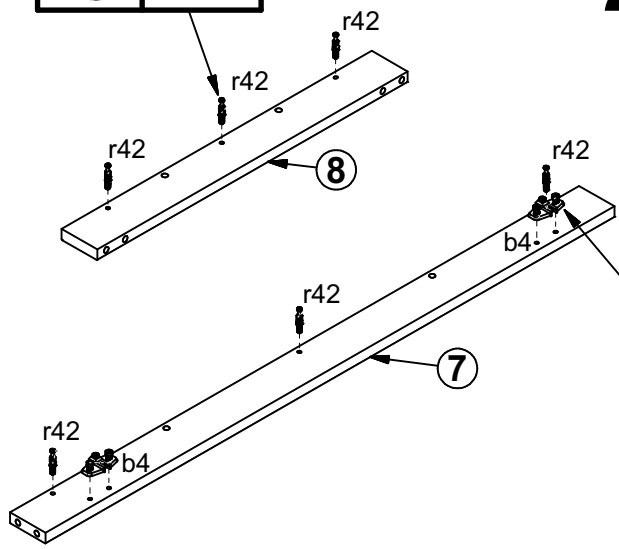


- 2x
- 2x
- 1x
- 12x  $\varnothing 5 \times 17$  mm
- 4x  $\varnothing 7 \times 50$  mm
- 4x  $\varnothing 6.3 \times 13$  mm
- 4x  $\varnothing 6 \times 13$  mm
- 16x  $\varnothing 8 \times 30$  mm
- 2x M4x25 mm
- 4x
- 10x
- 2x silikon
- 8x  $\varnothing 4 \times 35$  mm
- 16x  $\varnothing 12$  mm #16
- 16x
- 4x  $\varnothing 16$
- 1x
- 1x
- 1x  $\varnothing 3.5 \times 16$  mm
- 8x  $\varnothing 8 \times 50$  mm

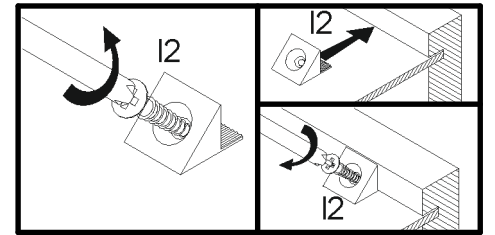
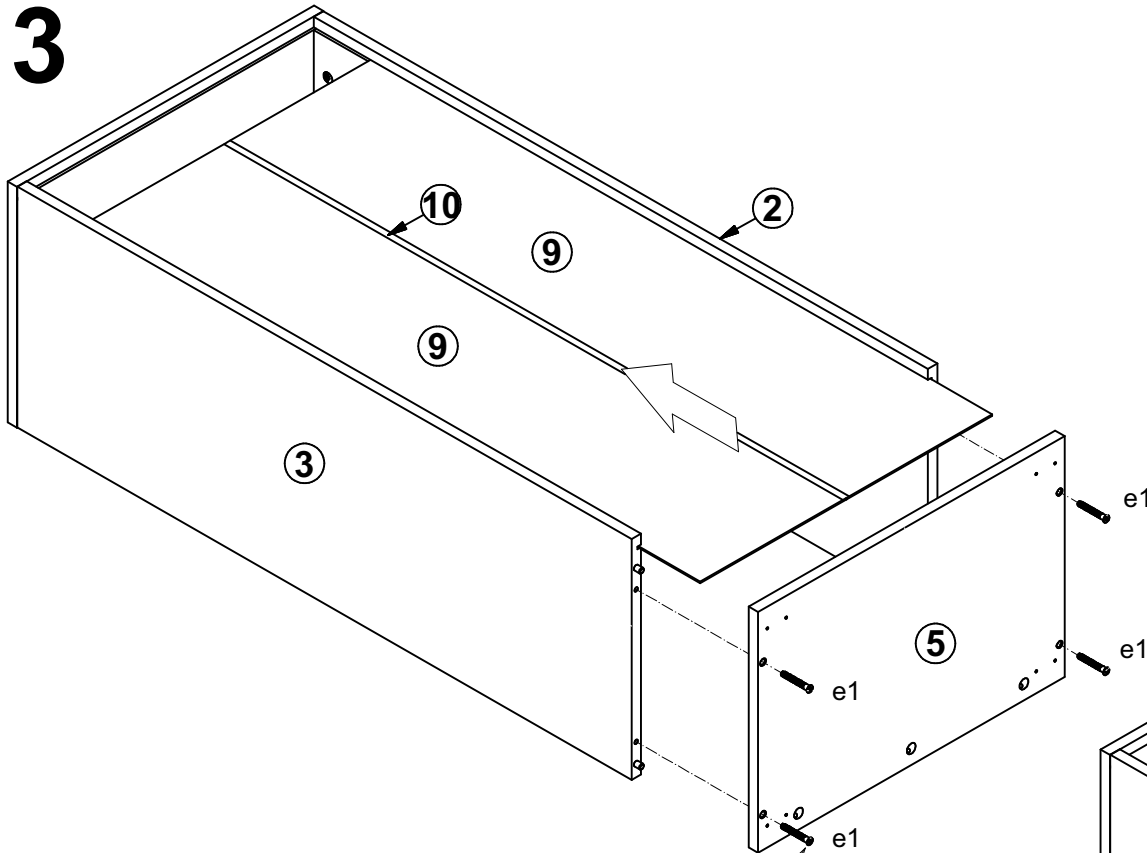
**1** 



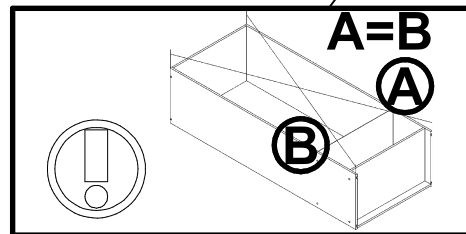
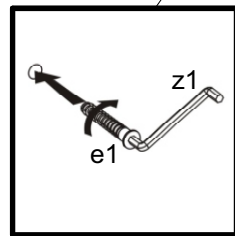
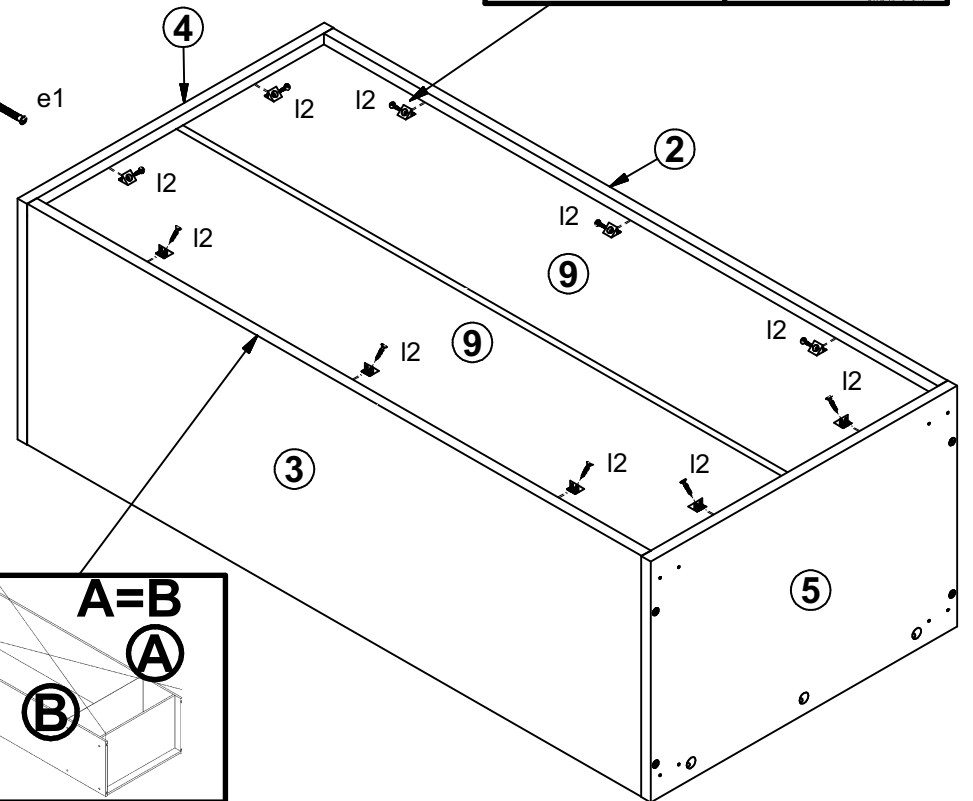
**2** 



3

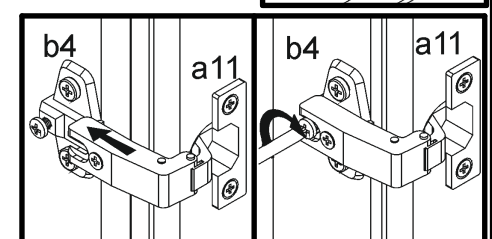
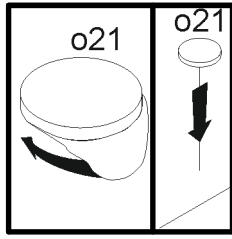
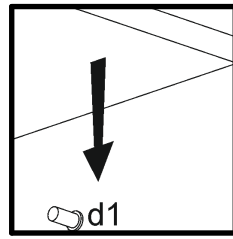
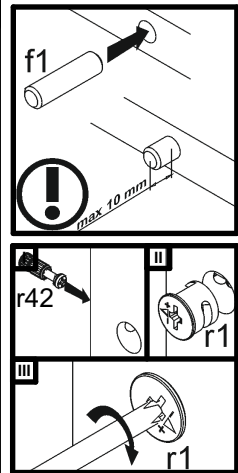
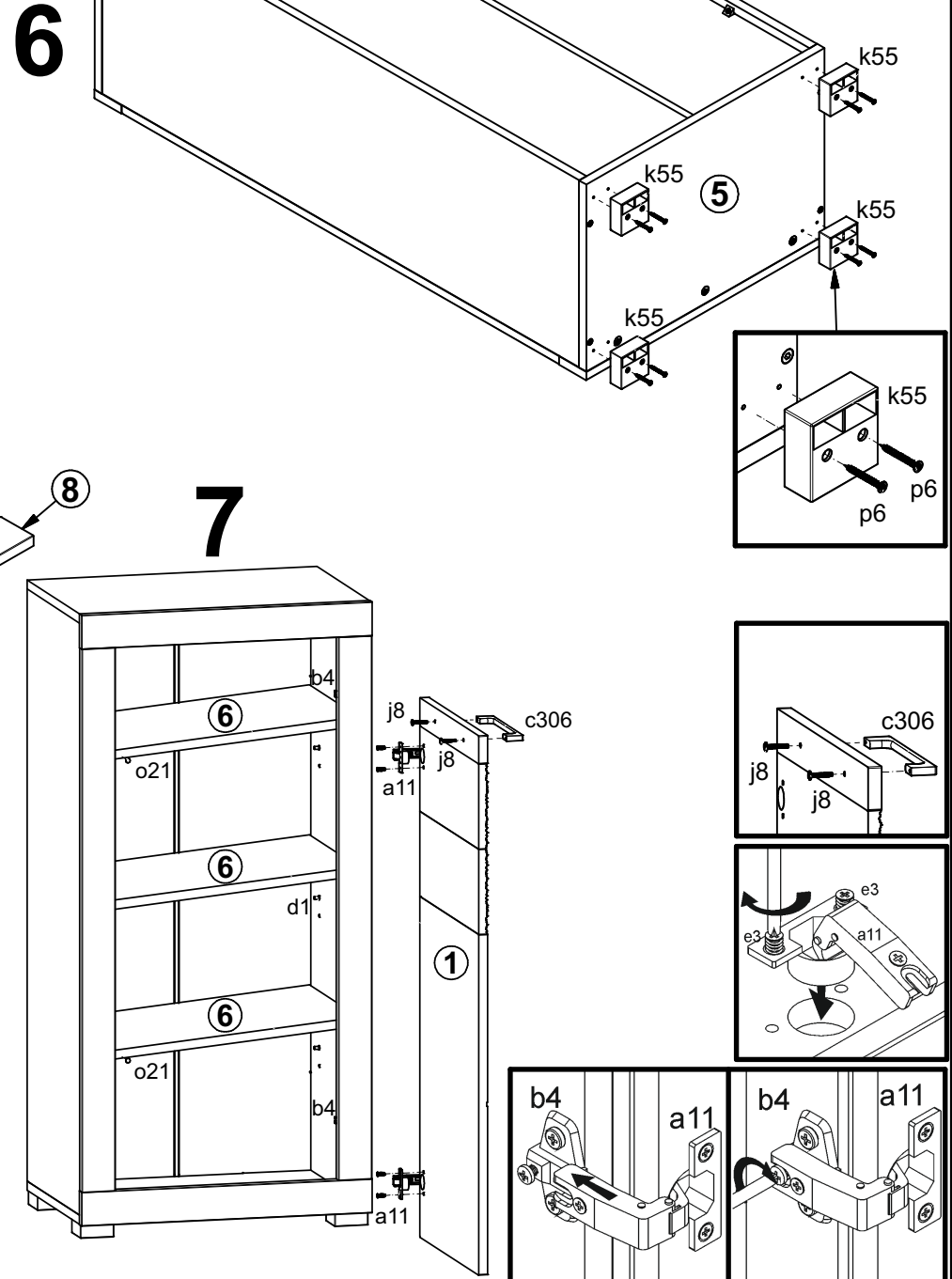
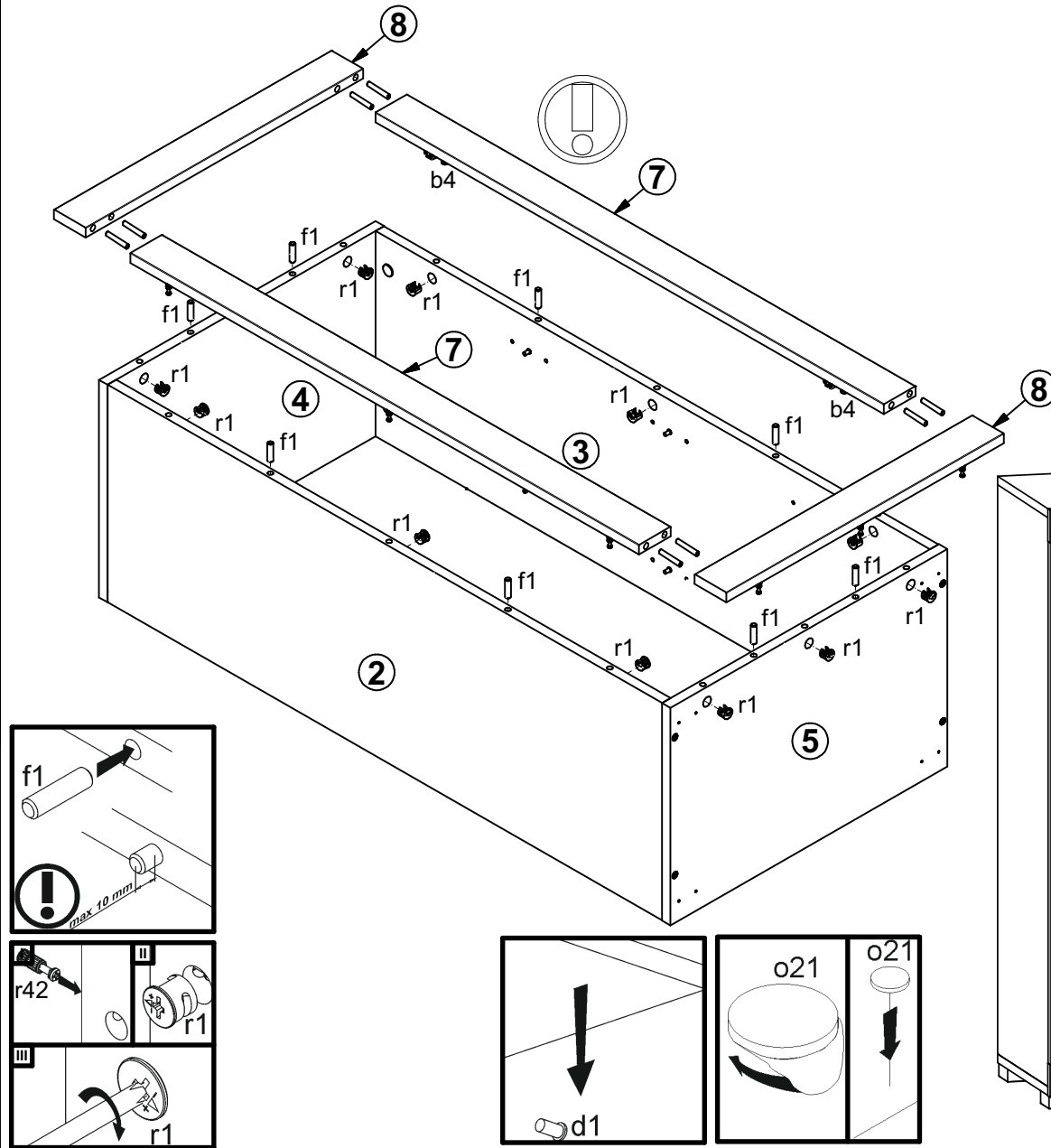


4



5

6



8

